

Specification	Model
LH	TX91-1-Z
RH	TX91-2-Y



TX91
Main material and finish:
Stainless steel

Quarter Turn Locks

Compression Locks & Latches

Handle Locks

Rod Control Locks

Electronic Locks

Canopy Locks, Handles & Door Stay

Hinges

9 Fold Accessories

Sealing Profiles

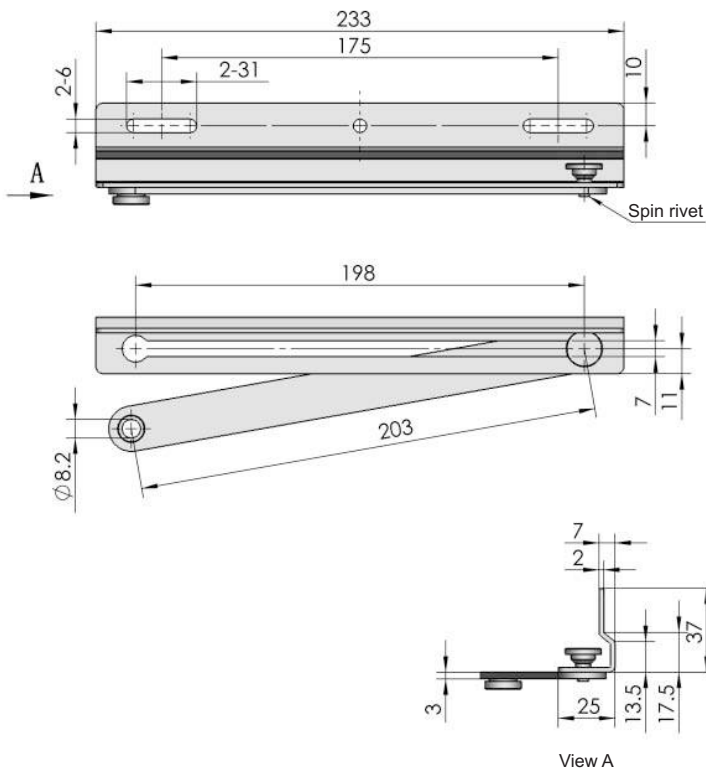
Fan Filter

Panel Fasteners

Sleeve & Termination

Wiring Accessories

Connectors



TX94
Main material and finish:
Trivalent white zinc plated steel