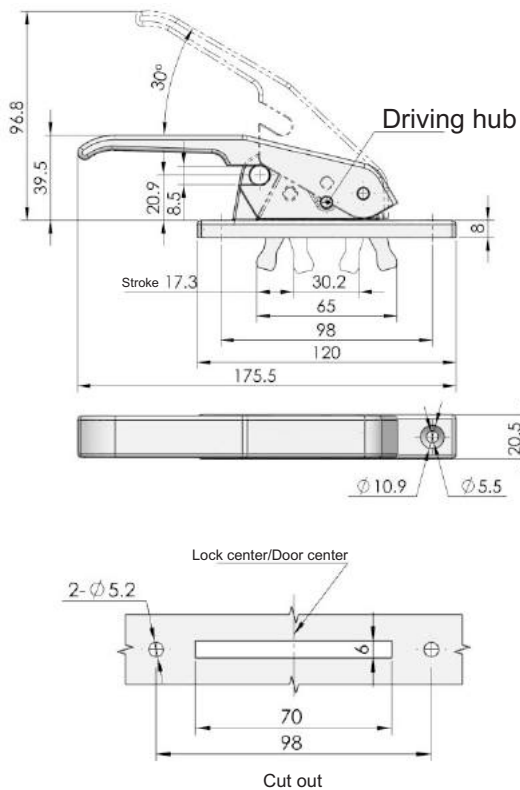


Remarks : Lock driving part prepared by user



Remarks : Lock driving part prepared by user



MS887-1

Main material and finish:
Black powder coated ZDC housing, handle, white zinc plated steel cam

Application:
Handle combines with latch

Quarter Turn Locks

Compression Locks & Latches

Handle Locks

Rod Control Locks

Electronic Locks

Canopy Locks, Handles & Door Stay

Hinges

9 Fold Accessories

Sealing Profiles

Fan Filter

Panel Fasteners

Sleeve & Termination

Wiring Accessories

Connectors



MS887-2

Main material and finish:
Blue gray (RAL7012) powder coated aluminum housing, handle, white zinc-plated steel cam

Application:
Handle combines with latch