



Quarter Turn Locks

Compression Locks & Latches

Handle Locks

Rod Control Locks

Electronic Locks

Canopy Locks, Handles & Door Stay

Hinges

9 Fold Accessories

Sealing Profiles

Fan Filter

Panel Fasteners

Sleeve & Termination

Wiring Accessories

Connectors



MS876

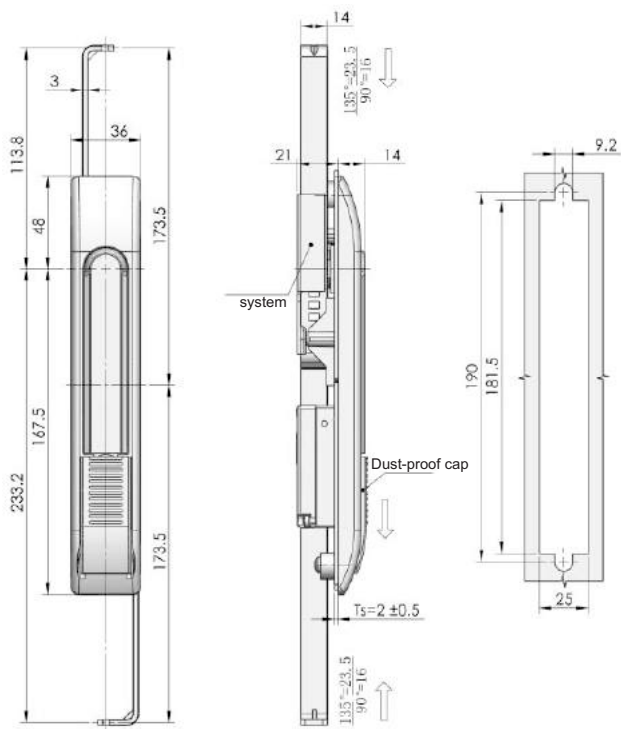


Main material and finish:

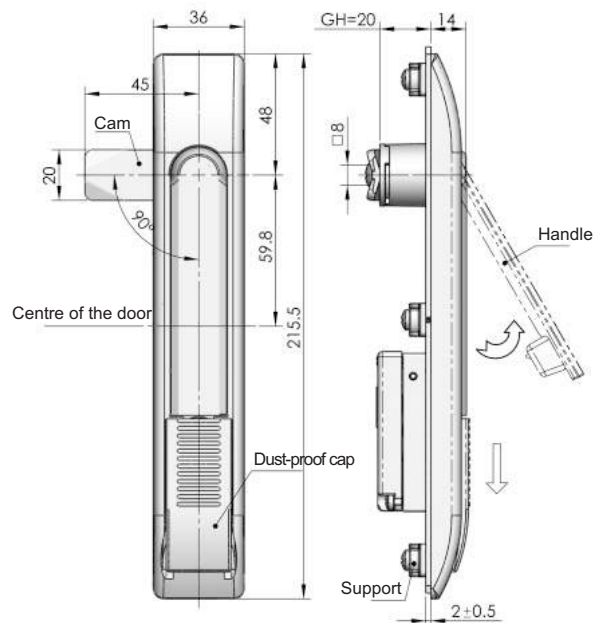
Black PA housing, bright chrome plated ZDC handle, white zinct-plated steel rod

Application:

Handle rotation combines with rod latch to open or close



MS876-1



MS876-2

Specification	Model
Rod Latch System	MS876-1
Cam Latch System	MS876-2