

Specification	Model
With insert	MS866-4
Without insert	MS866-4A



MS866-4

Main material and finish:
Silk black steel cup and handle, sand blast and nickleplated ZDC profile cylinder, zinc-plated steel latch, support and riveting screw

Quarter Turn Locks

Compression Locks & Latches

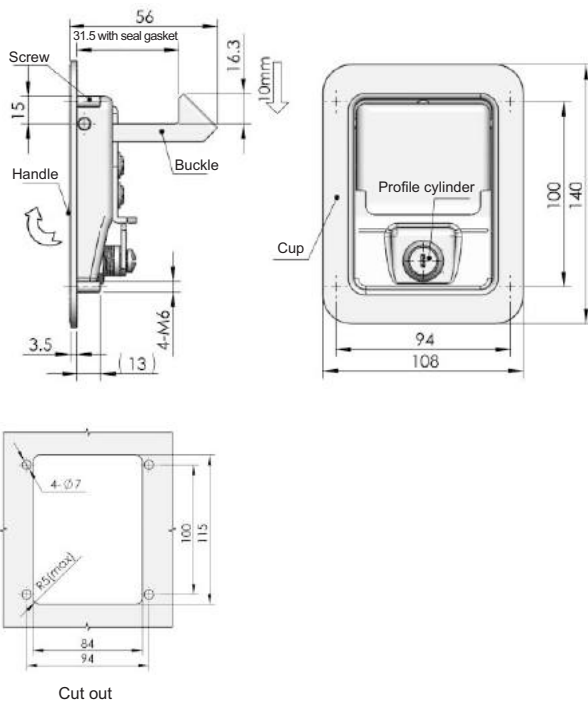
Handle Locks

Rod Control Locks

Electronic Locks

Canopy Locks, Handles & Door Stay

Hinges



MS866-5

Main material and finish:
Silk black steel cup and handle, nickle-plated ZDC profile cylinder, zinc-plated steel latch, support and weld screw

9 Fold Accessories

Sealing Profiles

Fan Filter

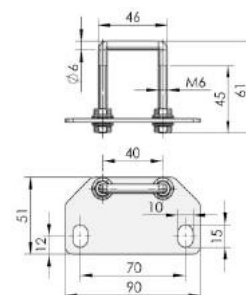
Panel Fasteners

Sleeve & Termination

Wiring Accessories

Connectors

Pull buckle



Remarks: default product is without keeper

Specification	Without insert	With insert
	Model	Model
H=31.5	MS866-5B	MS866-5A
H=44	MS866-5C	MS866-5BA
H=55	MS866-5D	MS866-5CA