

Main material and finish:
Nanometer painted ZDC lock

Quarter Turn Locks

Compression Locks & Latches

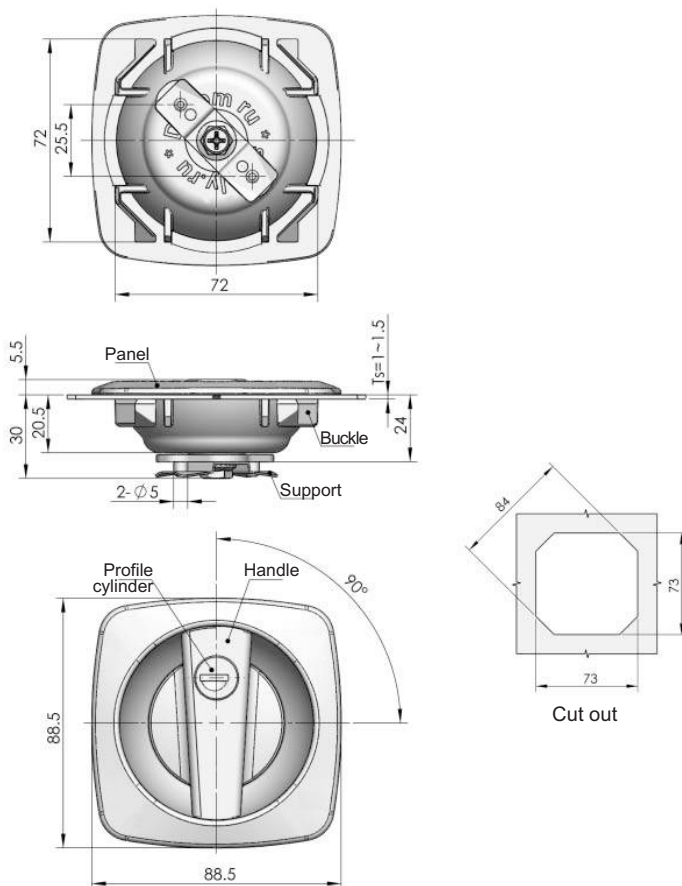
Handle Locks

Rod Control Locks

Electronic Locks

Canopy Locks, Handles & Door Stay

Hinges



RL IP54

Main material and finish:
Black PA housing and handle, zinc-plated steel support

9 Fold Accessories

Sealing Profiles

Fan Filter

Panel Fasteners

Sleeve & Termination

Wiring Accessories

Connectors