

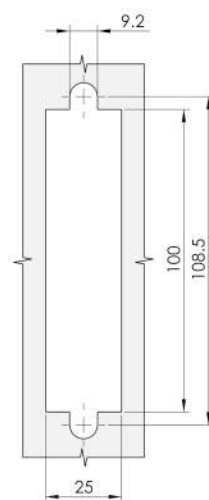
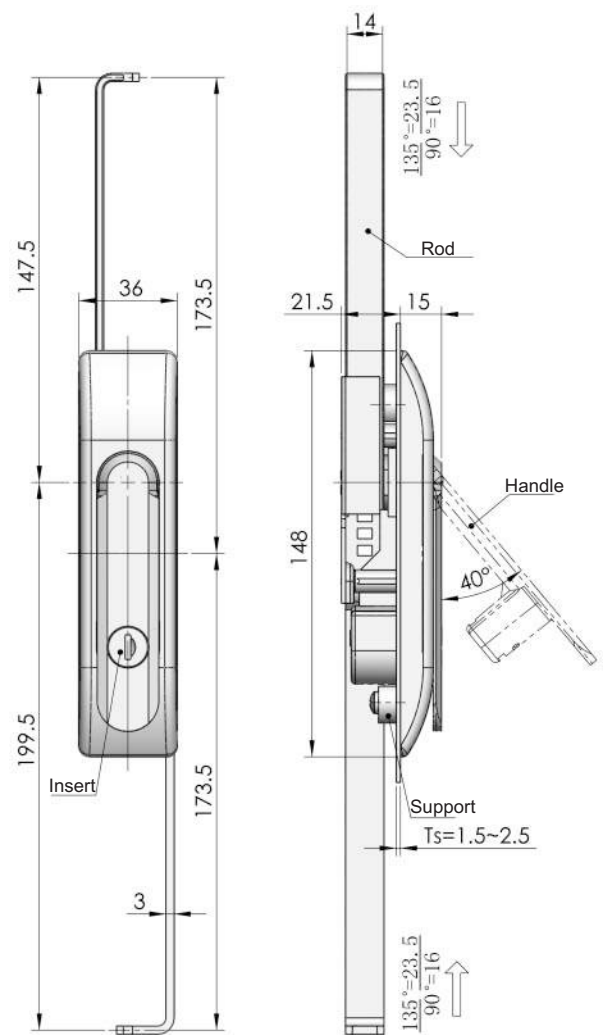


Quarter Turn Locks
Compression Locks & Latches
Handle Locks
Rod Control Locks
Electronic Locks
Canopy Locks, Handles & Door Stay
Hinges
9 Fold Accessories
Sealing Profiles
Fan Filter
Panel Fasteners
Sleeve & Termination
Wiring Accessories
Connectors



**Main material and finish:**  
Black PA housing, pocked black powder coated ZDC handle, white zinc-plated steel rod

**Application:**  
Handle quarter-turn combines with rod latch system to open or close



Cut out

Specification	Model
PA housing and handle	MS865-1
PA housing and pocked coated ZDC handle	MS865-1A