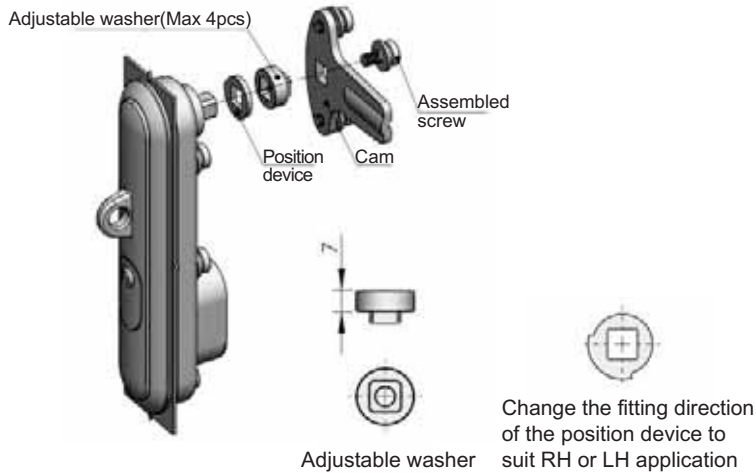
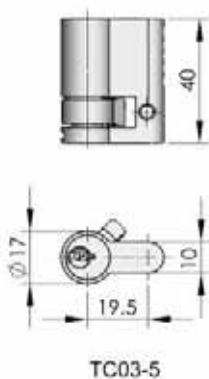


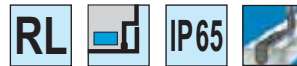
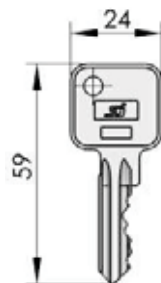
Exploded sketch



Default profile cylinder



Default Key



Main material and finish:
Black painted ZDC housing and handle (high salt mist resistance)

Application:
Quarter-turn opening or closing, position device direction to suit RH or LH application, padlockable

Quarter Turn Locks

Compression Locks & Latches

Handle Locks

Rod Control Locks

Electronic Locks

Canopy Locks, Handles & Door Stay

Hinges

9 Fold Accessories

Sealing Profiles

Fan Filter

Panel Fasteners

Sleeve & Termination

Wiring Accessories

Connectors

Specification	Model
with padlock	MS864-4-3D
without padlock	MS864-4-3D-P