

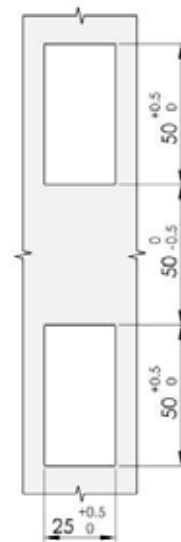
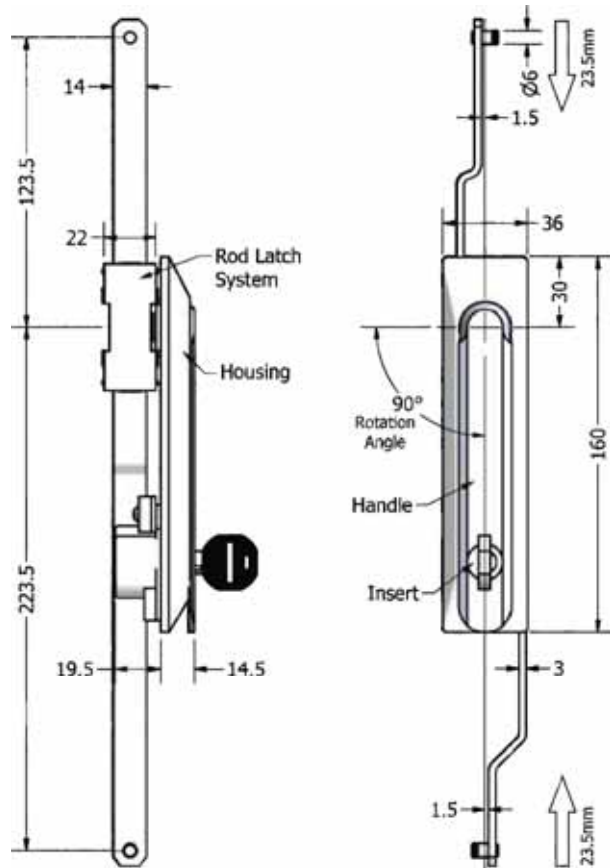


Quarter Turn Locks
Compression Locks & Latches
Handle Locks
Rod Control Locks
Electronic Locks
Canopy Locks, Handles & Door Stay
Hinges
9 Fold Accessories
Sealing Profiles
Fan Filter
Panel Fasteners
Sleeve & Termination
Wiring Accessories
Connectors



Main material and finish:
Black ZDC handle, PA housing , white zinc-plated steel cam and rod.

Application:
Handle quarter-turn combines with rod latch system to open or close



Cut out