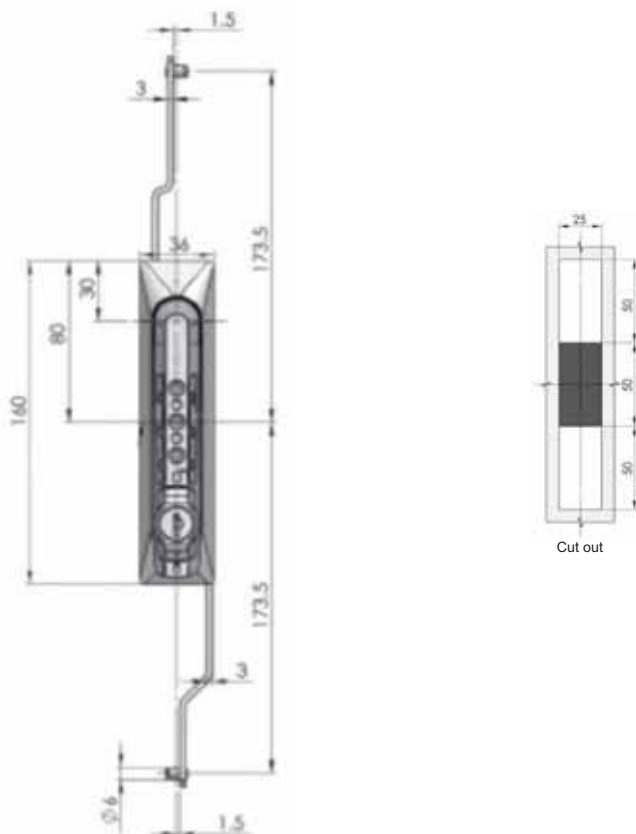


Main material and finish:
Black PA housing, handle and knob, white zincplated steel cam and support

Application:
Refer to instruction along with

Quarter Turn Locks
Compression Locks & Latches
Handle Locks
Rod Control Locks
Electronic Locks
Canopy Locks, Handles & Door Stay
Hinges



Main material and finish:
Black PA housing, handle and knob, white zincplated steel cam and support

Application:
Refer to instruction along with

9 Fold Accessories
Sealing Profiles
Fan Filter
Panel Fasteners
Sleeve & Termination
Wiring Accessories
Connectors