

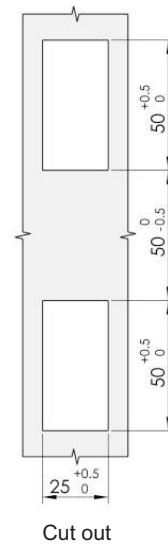
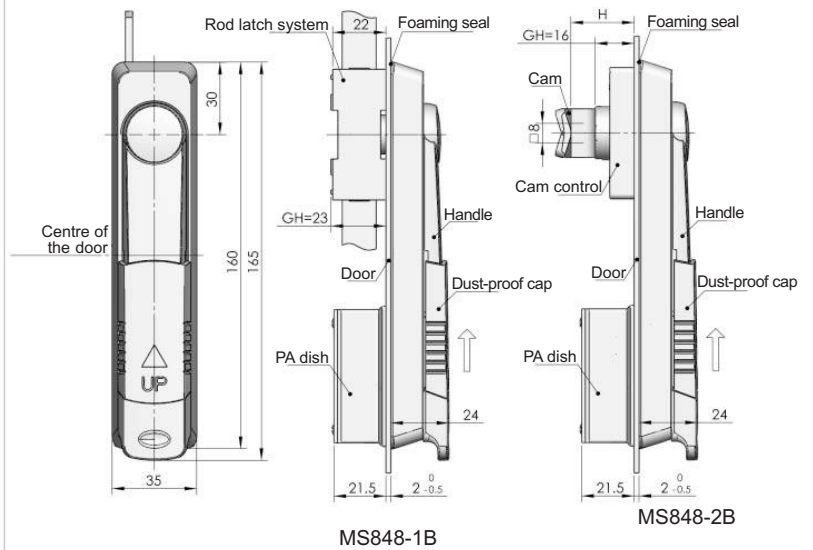


Quarter Turn Locks
Compression Locks & Latches
Handle Locks
Rod Control Locks
Electronic Locks
Canopy Locks, Handles & Door Stay
Hinges
9 Fold Accessories
Sealing Profiles
Fan Filter
Panel Fasteners
Sleeve & Termination
Wiring Accessories
Connectors



Main material and finish:
Black PA handle, housing and dust-proof cap, white zinc-plated steel cam and rod, ZDC profile cylinder

Application:
Handle quarter-turn combines with rod latch system to open or close



Optional Accessories
Cam latch system Mb9
Rod latch system Mb0

Specification	Model
Rod latch system	MS848-1B
Cam latch system	MS848-2B