

Specification	Model
Square 6mm	MS845-1
Slot	MS845-2
Handle	MS845-3



RL IP54

Main material and finish :
Black powder coated ZDC housing and insert, white zincplated steel cam

Application :
Quarter-turn opening or closing

Quarter Turn Locks

Compression Locks & Latches

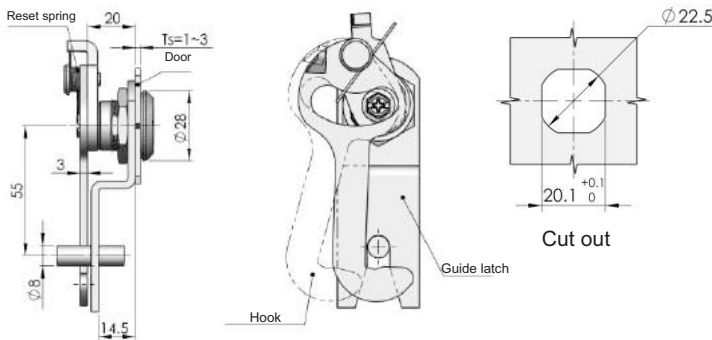
Handle Locks

Rod Control Locks

Electronic Locks

Canopy Locks, Handles & Door Stay

Hinges



Remarks : Assembling prepared by user

Model	Insert range	Optional key
MS837-1	Double bit 4mm	K15-1/K15-1F/K15-1A
MS837-1A	Double bit 3mm	K15-1/K15-1F/K15-1A
MS837-2	Hooked 4mm	K15-1
MS837-3	Triangular 8mm	K15-3/K15-3F
MS837-4	Square 8mm	K15-4/K15-4F
MS837-4A	square 8mm with solt	K15-4/K15-4F
MS837-5	Square 6mm	K15-5/K15-5F/K15-5A
MS837-6	Square 7mm	K15-6/K15-6F
MS837-7	10mm Hexagon female	K15-7/K15-7F
MS837-8	Slot	
MS837-9	11mm Hexagon male	K15-9/K15-9F
MS837-10	Thorn	K15-10
MS837-11	Flat Cylinder	K15-11
MS837-12	Triangular 7mm	K15-3/K15-3F



RL IP54

Main material and finish :
Bright chrome-plated ZDC housing and insert, white zincplated steel hook and guide latch

Application :
by rotating to open or close, hook returns automatically

9 Fold Accessories

Sealing Profiles

Fan Filter

Panel Fasteners

Sleeve & Termination

Wiring Accessories

Connectors