



Quarter Turn Locks

Compression Locks & Latches

Handle Locks

Rod Control Locks

Electronic Locks

Canopy Locks, Handles & Door Stay

Hinges

9 Fold Accessories

Sealing Profiles

Fan Filter

Panel Fasteners

Sleeve & Termination

Wiring Accessories

Connectors

MS842

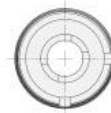
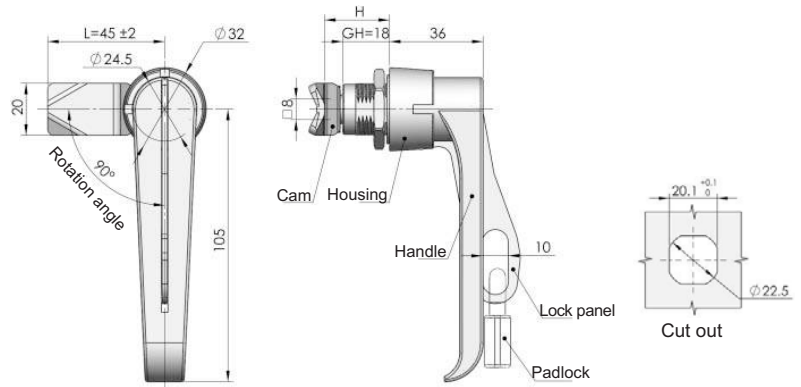


Main material and finish:

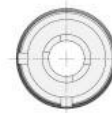
Black pocked coated ZDC handle and housing, white zinc-plated steel cam, stainless steel lock panel or whole stainless steel for selection

Application:

Quarter-turn opening or closing, padlockable



LH



RH

Specification	Model
ZDC	MS842
Stainless steel	MS842-1B

MS868



Main material and finish :

Black powder coated ALU/ZDC handle and lock panel, ZDC housing, white zinc plated steel cam

Application:

Quarter-turn opening or closing, padlock available

