

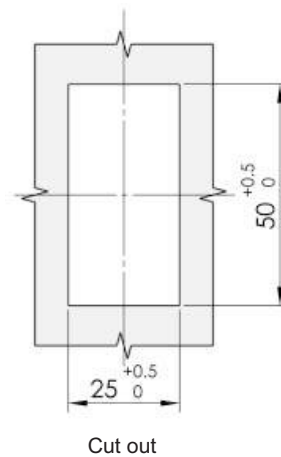
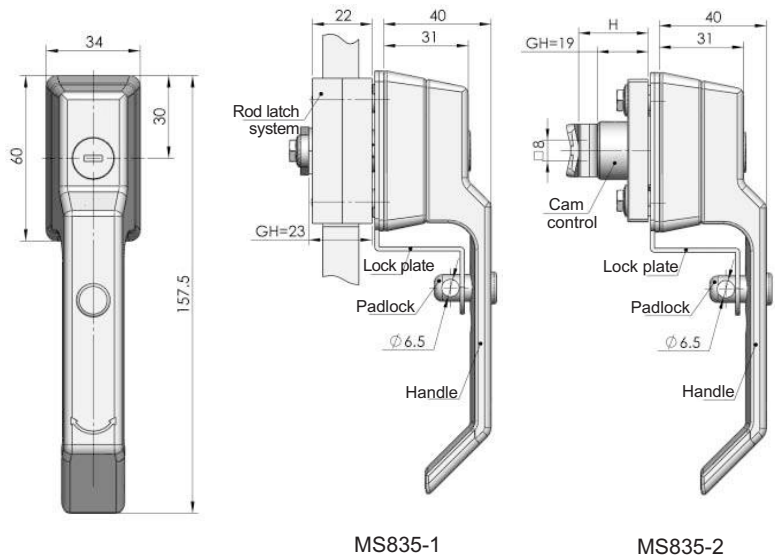


Quarter Turn Locks
Compression Locks & Latches
Handle Locks
Rod Control Locks
Electronic Locks
Canopy Locks, Handles & Door Stay
Hinges
9 Fold Accessories
Sealing Profiles
Fan Filter
Panel Fasteners
Sleeve & Termination
Wiring Accessories
Connectors



Main material and finish:
Nanometer painted ZDC handle and housing, white zinc-plated steel cam and rod, brass shaft

Application:
90 degree handle rotation combines with rod latch to open or close



Optional Accessories
Cam latch system Mb9
Rod latch system Mb0

Remarks: Door thickness Ts=1~2mm(Padlockable),
Ts=1~4(Unpadlockable)

Specification	Model
Optional rod latch system Mb21	MS835-1
Optional rod latch system Mb21, padlockable	MS835-1P
Optional rod latch system Mb22	MS835-1-2
Optional rod latch system Mb22, padlockable	MS835-1-2P
Cam latch system	MS835-2
Cam latch system, padlockable	MS835-2P