



Quarter Turn Locks
Compression Locks & Latches
Handle Locks
Rod Control Locks
Electronic Locks
Canopy Locks, Handles & Door Stay
Hinges
<b>9 Fold Accessories</b>
Sealing Profiles
Fan Filter
Panel Fasteners
Sleeve & Termination
Wiring Accessories
Connectors



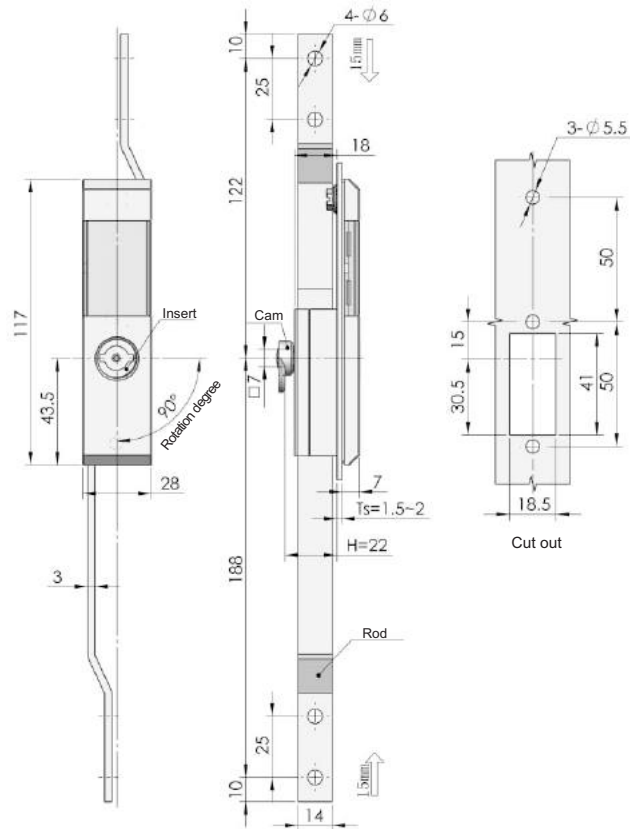
**MS821**

**R L IP40 3PL**

plated ZDC insert, yellow gray ABS panel, white zinc-plated steel cam and ZDC rod latch, steel rod

**Application:**

Insert quarter-turn rotation combines with rod latch system to open or close



Remarks: Change rod and cam position to suit RH or LH application



**MS813**

**RL IP65**

ZDC housing, bright chrome-plated ZDC insert, white zinc-plated ZDC cam

**Application :**

Quarter-turn opening or closing

