



| |
|--|
| Quarter Turn Locks |
| Compression Locks & Latches |
| Handle Locks |
| Rod Control Locks |
| Electronic Locks |
| Canopy Locks, Handles & Door Stay |
| Hinges |
| 9 Fold Accessories |
| Sealing Profiles |
| Fan Filter |
| Panel Fasteners |
| Sleeve & Termination |
| Wiring Accessories |
| Connectors |

MS816-4B

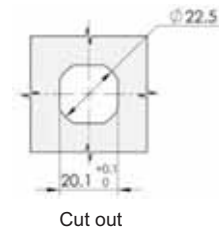
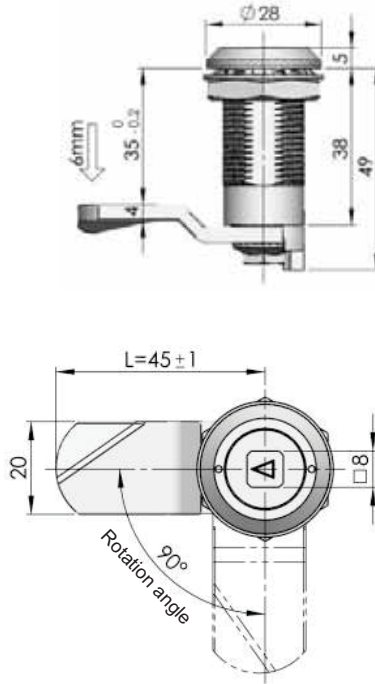


Main material and finish :

Stainless steel housing, insert and cam, white zinc-plated steel shaft

Application :

Quarter-turn opening or closing, with function of locking



HP001 Handle pull (Optional)



WP002 Water-proof cap (Optional)

MS859

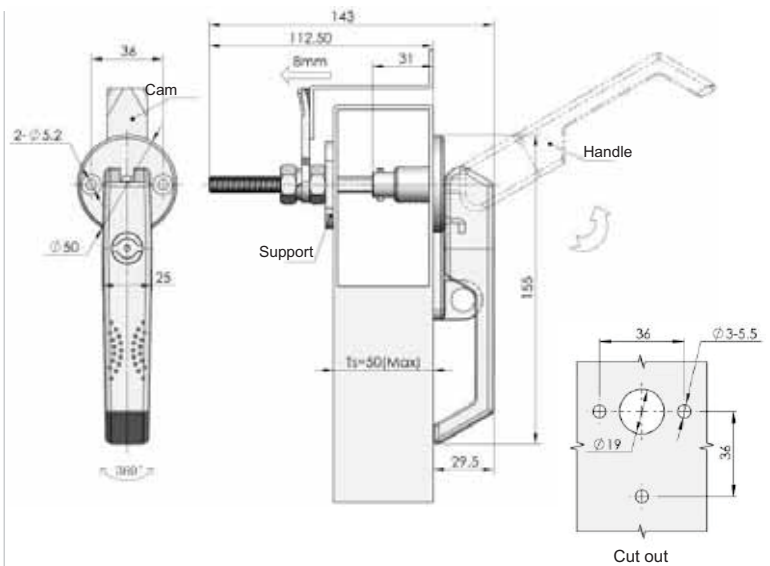


Main material and finish :

PA handle, pocked black powder coated ZDC housing, bright chrome-plated ZDC insert, white zinc-plated steel shaft

Application :

Quarter-turn opening or closing



| Specification | Model |
|----------------|-----------|
| Double bit | MS859-1-1 |
| Triangular 8mm | MS859-1-2 |
| Square 8x8mm | MS859-1-3 |
| Square 7x7mm | MS859-1-4 |
| Square 6x6mm | MS859-1-5 |
| Hexagon Female | MS859-1-6 |
| Slot | MS859-1-7 |
| Triangular 7mm | MS859-1-8 |

Support (Accessory)

