

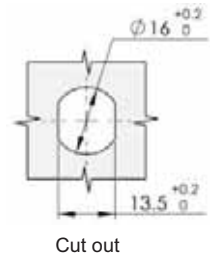
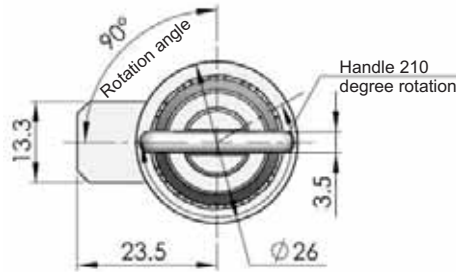
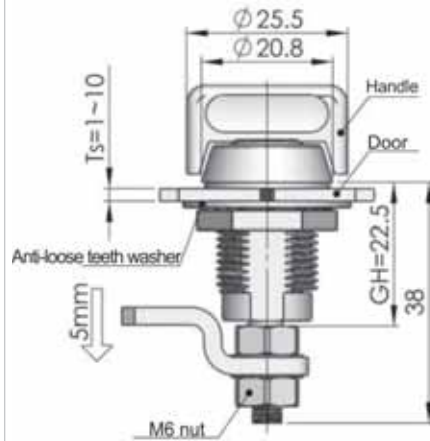


Quarter Turn Locks
Compression Locks & Latches
Handle Locks
Rod Control Locks
Electronic Locks
Canopy Locks, Handles & Door Stay
Hinges
9 Fold Accessories
Sealing Profiles
Fan Filter
Panel Fasteners
Sleeve & Termination
Wiring Accessories
Connectors

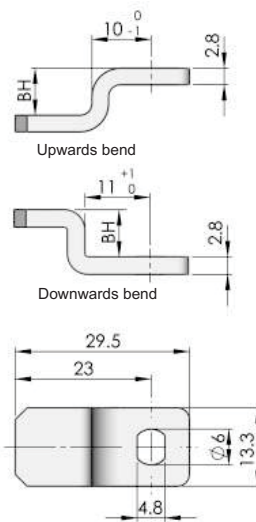


Main material and finish:
Black painted ZDC housing, insert and handle, white zincplated steel cam, PA water-proof cap

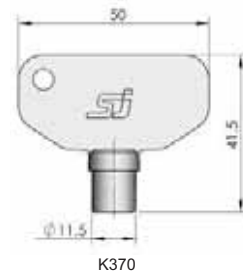
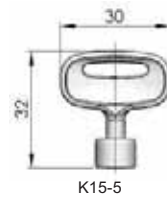
Application:
Cam Quarter-turn to open or close, with function of locking



Cam(Optional)



key(Optional)



Specification	Model	Optional key
Handle	MS816-3S-1	
6mm Square	MS816-3S-2	K15-5A
Abnormal	MS816-3S-3	K370
Slot	MS816-3S-4	