

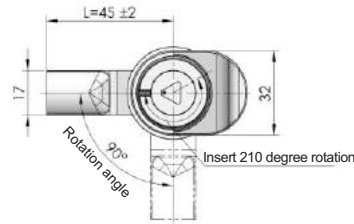
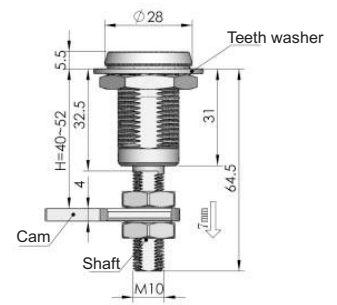
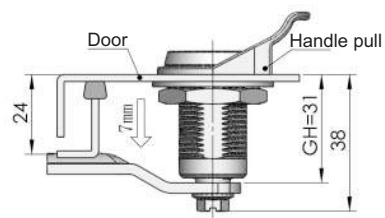


Quarter Turn Locks
Compression Locks & Latches
Handle Locks
Rod Control Locks
Electronic Locks
Canopy Locks, Handles & Door Stay
Hinges
9 Fold Accessories
Sealing Profiles
Fan Filter
Panel Fasteners
Sleeve & Termination
Wiring Accessories
Connectors

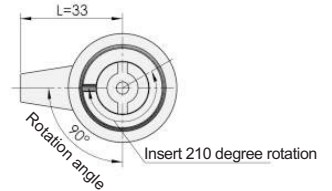


Main material and finish :
Black powder coated ZDC housing and insert, white zinc-plated steel cam, PA handle pull

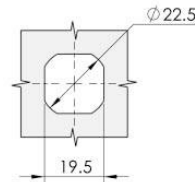
Application:
Cam quarter-turn to open or close, with function of locking



Unadjustable type



Adjustable type



Cut out



HP001 handle pull (Optional)



WP002 water-proof cap (Optional)

- | | | | |
|--|----------------------------|--|----------------|
| | Triangular 8mm | | Square 7mm |
| | Hooked 4mm | | Square 9mm |
| | Socket Hexagon Ffemale 8mm | | Slot |
| | Hexagon male 10mm | | Triangular 7mm |
| | Square 8mm | | |

Specification	Unadjustable type	Adjustable type
	Model	Model
8mm Triangle	MS816-1-1	MS816-1A-1
S Hook	MS816-1-2	MS816-1A-2
8mm Socket hexagon	MS816-1-3	MS816-1A-3
10mm Hexagon	MS816-1-4	MS816-1A-4
8mm Square	MS816-1-5	MS816-1A-5
7mm Square	MS816-1-6	MS816-1A-6
9mm Square	MS816-1-8	MS816-1A-8
Slot	MS816-1-9	MS816-1A-9
7mm Triangle	MS816-1-10	MS816-1A-10
Abnormal	MS816-1-12	MS816-1A-12