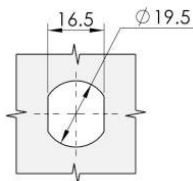


MS815-3A(Model A)

MS815-3B(Model B)



Cut out

Specification	Model
Model A	MS815-3A
Model B	MS815-3B

Remarks: Cam cut out $\varnothing 7 \times 5.5$



MS815-3



Main material & finish :
Black painted ZDC housing
insert and steel cam

Application:
Quarter-turn opening or closing

Quarter Turn
Locks

Compression
Locks &
Latches

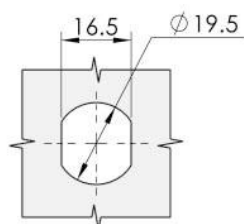
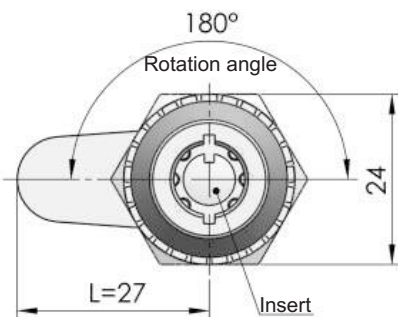
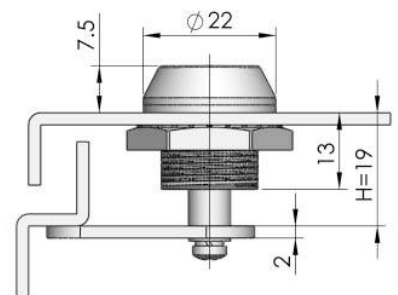
Handle
Locks

Rod Control
Locks

Electronic
Locks

Canopy Locks,
Handles &
Door Stay

Hinges



Cut out



MS 824



Main material and finish:
Bright chromeplated ZDC
housing, insert and white
zincplated steel cam

Application:
180 degree rotation opening or
closing

9 Fold
Accessories

Sealing
Profiles

Fan Filter

Panel
Fasteners

Sleeve &
Termination

Wiring
Accessories

Connectors