

MS760

RL IP65

Main material and finish:

Bright chrome plated ZDC housing and insert, white zinc plated steel cam

Application:

Quarter-turn opening or closing

Quarter Turn Locks

Compression Locks & Latches

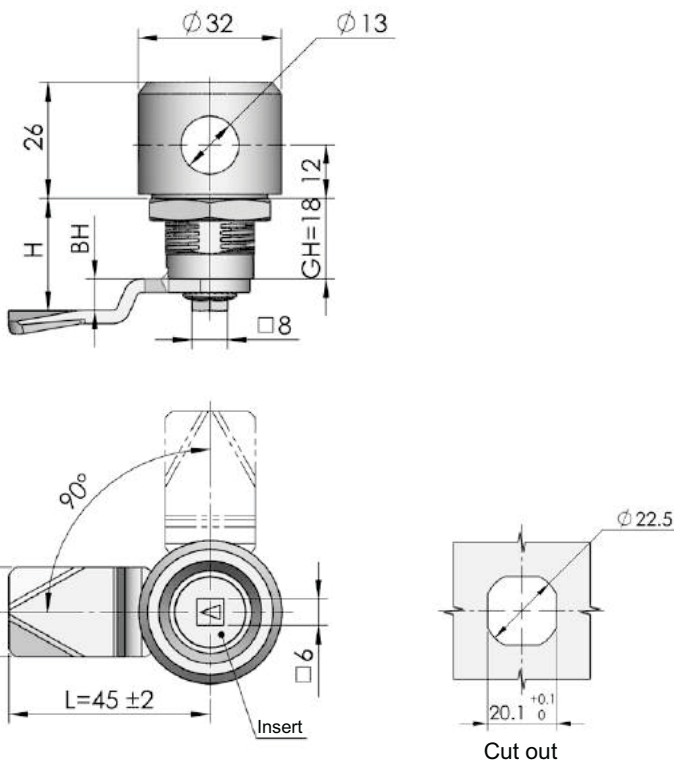
Handle Locks

Rod Control Locks

Electronic Locks

Canopy Locks, Handles & Door Stay

Hinges



MS763

RL IP65

Main material and finish :

Black powder coated ZDC housing and insert, white zinc plated steel cam

Application :

Quarter-turn opening or closing

9 Fold Accessories

Sealing Profiles

Fan Filter

Panel Fasteners

Sleeve & Termination

Wiring Accessories

Connectors