



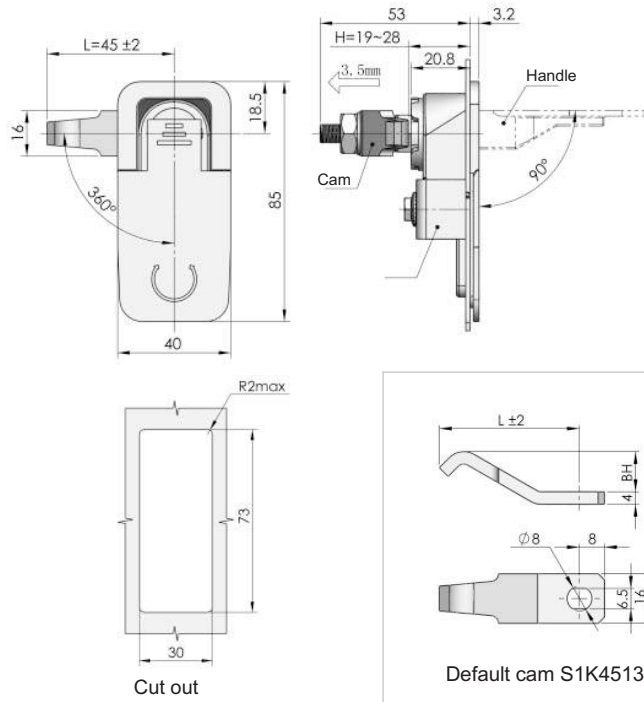
- Quarter Turn Locks
- Compression Locks & Latches
- Handle Locks
- Rod Control Locks
- Electronic Locks
- Canopy Locks, Handles & Door Stay
- Hinges
- 9 Fold Accessories
- Sealing Profiles
- Fan Filter
- Panel Fasteners
- Sleeve & Termination
- Wiring Accessories
- Connectors

MS726-1



Main material and finish:
Black painted ZDC housing and handle, white zinc plated steel support and cam

Application:
Quick-open, easy assembling.
H variable by adjusting nut



Specification	Model
Black powder coated housing, handle	MS726-1A
Nanometer painted housing, handle	MS726-2B

MS726-1A



Main material and finish:
Sand-spraying and bright chrome-plated ZDC housing, handle and insert, white zinc plated steel support and cam

Application:
Quick-open, easy assembling,
H variable by adjusting nut

