



Quarter Turn Locks
Compression Locks & Latches
Handle Locks
Rod Control Locks
Electronic Locks
Canopy Locks, Handles & Door Stay
Hinges
9 Fold Accessories
Sealing Profiles
Fan Filter
Panel Fasteners
Sleeve & Termination
Wiring Accessories
Connectors



MS714-1

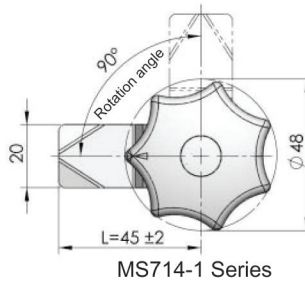
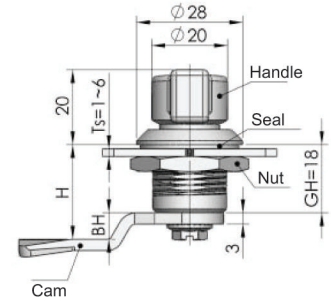
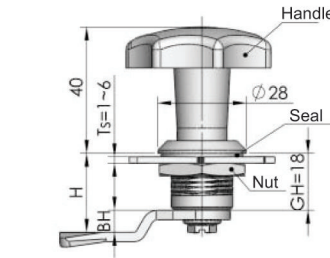


MS714-2

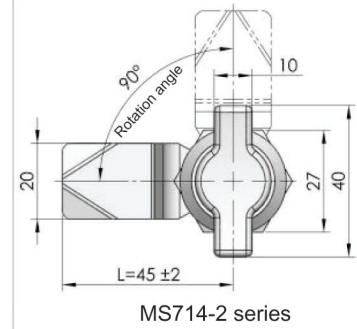
RL **IP65**

Main material and finish :
Black powder coated ZDC housing or PA housing, PA handle, white zinc plated steel cam

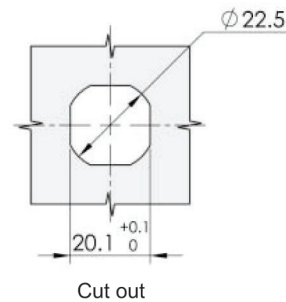
Application :
Quarter-turn opening or closing



MS714-1 Series



MS714-2 series



Cut out

Specification	Knob	
	black powder coated ZDC housing, PA handle	PA housing and handle
	Model	Model
GH=18	MS714-1-1	MS714-1A-1
GH=28	MS714-1-2	MS714-1A-2
GH=36	MS714-1-3	MS714-1A-3
GH=62	MS714-1-4	MS714-1A-4

Specification	Handle	
	black powder coated ZDC housing, PA handle	PA housing and handle
	Model	Model
GH=18	MS714-2-1	MS714-2A-1
GH=28	MS714-2-2	MS714-2A-2
GH=36	MS714-2-3	MS714-2A-3
GH=62	MS714-2-4	MS714-2A-4