



Quarter Turn Locks

Compression Locks & Latches

Handle Locks

Rod Control Locks

Electronic Locks

Canopy Locks, Handles & Door Stay

Hinges

9 Fold Accessories

Sealing Profiles

Fan Filter

Panel Fasteners

Sleeve & Termination

Wiring Accessories

Connectors

MS317



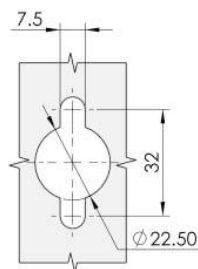
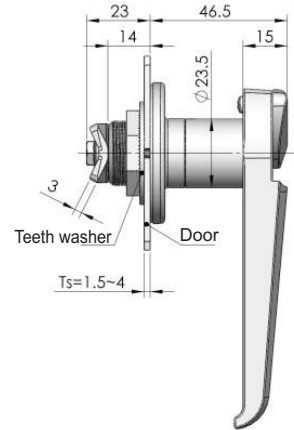
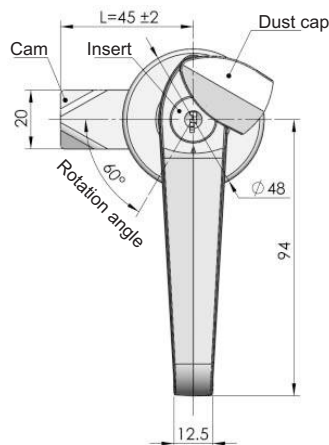
RL IP54

Main material and finish :

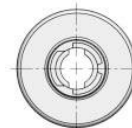
Bright chrome-plated ZDC handle, housing and insert, white zinc-plated steel cam, teeth washer

Application:

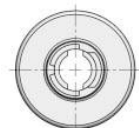
60 degree rotation opening or closing



Cut out



Opening from left rotation



Opening from right rotation

MS320



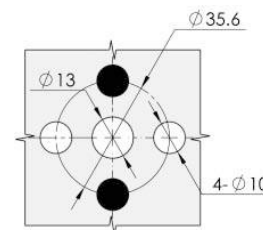
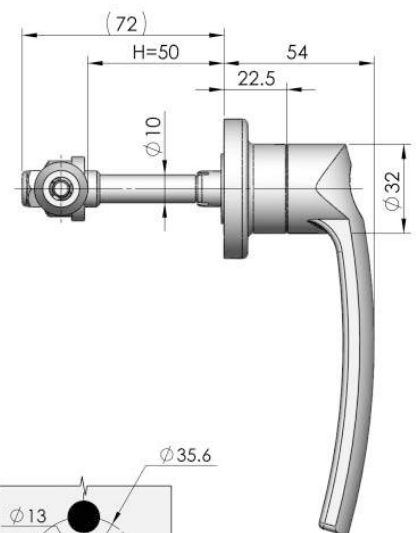
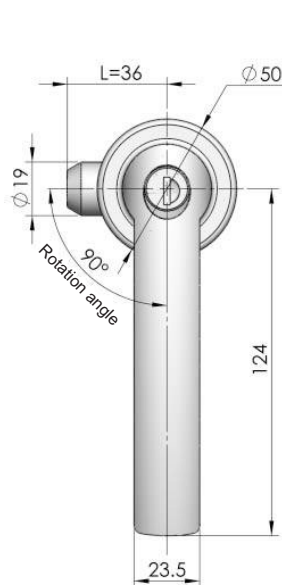
RL

Main material and finish :

PA handle and housing, white zinc-plated steel shaft

Application:

Quarter-turn opening or closing



Cut out

When housing is horizontal hole position, handle should be counter clock wise rotation

When housing is vertical hole position, handle should be clockwise rotation