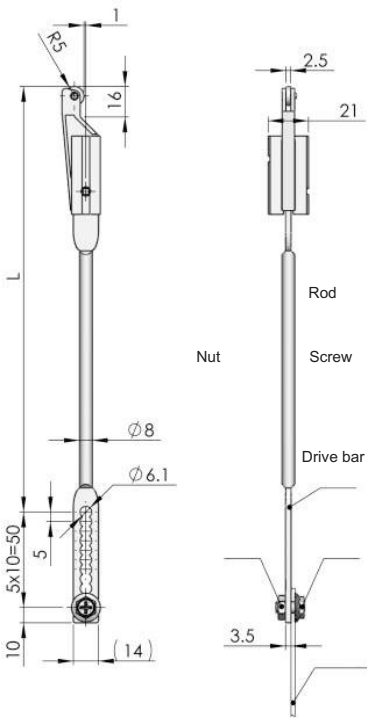




**LG002-2**

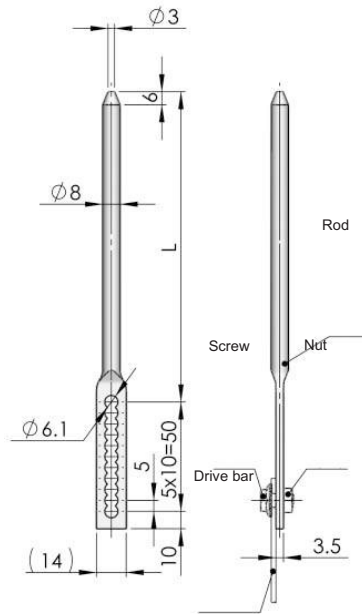


Remarks: fix flat bar with screw, rod length is adjustable, 5mm is adjusted by changing one set hole

Zinc-plated steel, adjustable round rod, PA roller, ZDC joint, outside the gasket.

Please specify the rod length "L" purchase

**LG003**

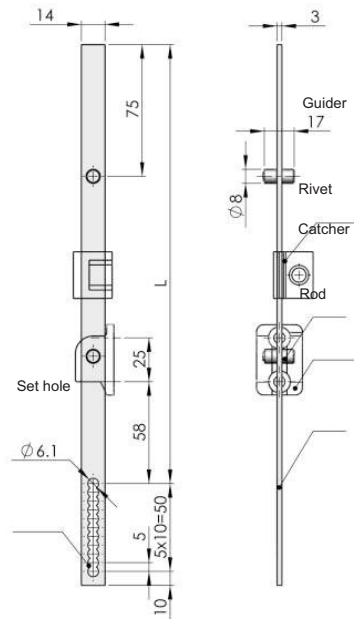
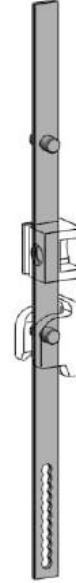


Remarks: fix flat bar with screw, rod length is adjustable, 5mm is adjusted by changing one set hole

Zinc-plated steel, adjustable round rod

Please specify the rod length "L" purchase

**LG004**



Zinc-plated steel, adjustable flat rod, outside the gasket.

Please specify the rod length "L" purchase

Quarter Turn Locks

Compression Locks & Latches

Handle Locks

**Rod Control Locks**

Electronic Locks

Canopy Locks, Handles & Door Stay

Hinges

9 Fold Accessories

Sealing Profiles

Fan Filter

Panel Fasteners

Sleeve & Termination

Wiring Accessories

Connectors