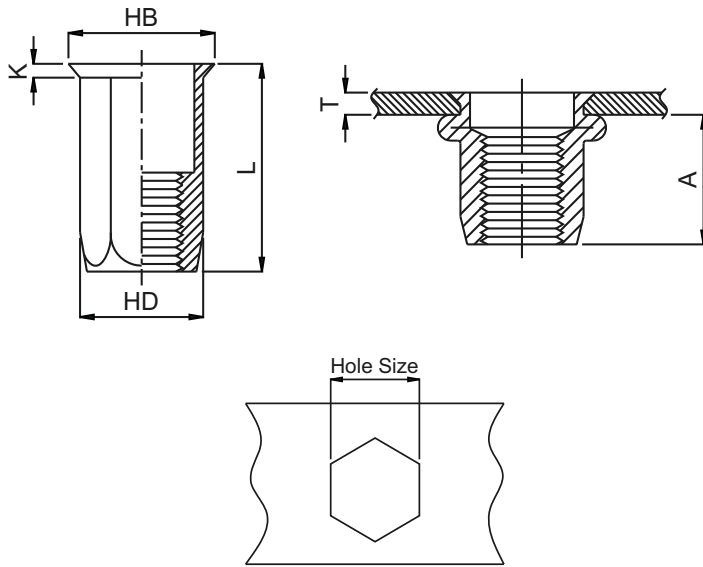




Reduce Head Full-Hex Body - HH-SM Series

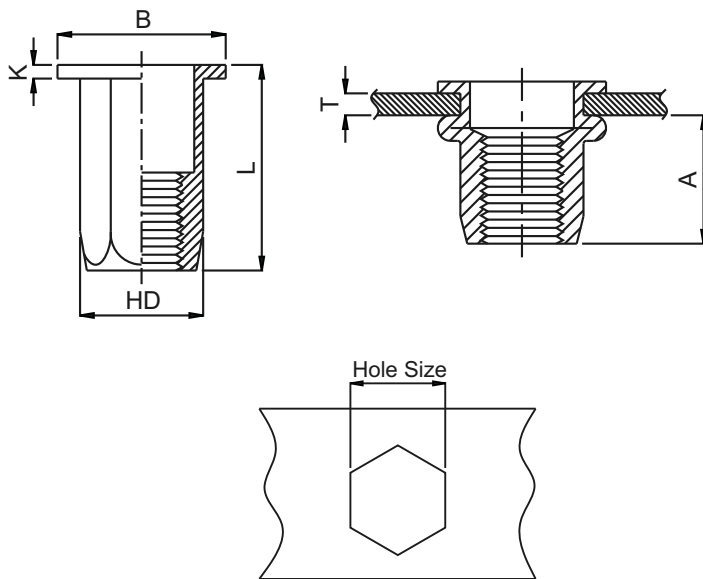


Material : Steel
Finish : Zinc Plating

UNIT -mm

MODEL	SIZE	T(Grip Range) Min-Max.	A Rer	Hole Size +0.1 -0.0	HD	B	K	L
HH-SM4	M4*0.7	0.5 - 2.5	6.7	6.0	5.9	7.0	0.5	11.0
HH-SM5	M5*0.8	0.5 - 3.0	9.0	7.0	6.9	8.0	0.5	14.5
HH-SM6	M6*1.0	1.0 - 3.5	10.0	9.0	8.9	10.0	0.6	16.0
HH-SM8	M8*1.25	1.0 - 4.0	11.5	11.0	10.9	12.0	0.65	18.0
HH-SM10	M10*1.5	1.0 - 3.5	12.5	13.0	12.9	14.5	0.75	19.0

Flat Head Full-Hex Body - HH-LM Series



Material : Steel
Finish : Zinc Plating

UNIT -mm

MODEL	SIZE	T(Grip Range) Min-Max.	A Rer	Hole Size +0.1 -0.0	HD +0.07 -0.1	B	K	L
HH-LM4	M4*0.7	0.5 - 2.0	6.5	6.0	5.9	9.0	0.8	11.0
HH-LM5	M5*0.8	0.5 - 2.5	8.0	7.0	6.9	10.0	1.0	13.0
HH-LM6	M6*1.0	0.5 - 3.0	8.5	9.0	8.9	12.7	1.35	15.0
HH-LM8	M8*1.25	1.0 - 3.5	10.5	11.0	10.9	16.0	1.5	18.0
HH-LM10	M10*1.5	1.0 - 3.5	12.5	13.0	12.9	18.0	1.7	21.0

Quarter Turn
Locks

Compression
Locks &
Latches

Handle
Locks

Rod Control
Locks

Electronic
Locks

Canopy Locks,
Handles &
Door Stay

Hinges

9 Fold
Accessories

Sealing
Profiles

Fan Filter

Panel
Fasteners

Sleeve &
Termination

Wiring
Accessories

Connectors