



Quarter Turn Locks

Compression Locks & Latches

Handle Locks

Rod Control Locks

Electronic Locks

Canopy Locks, Handles & Door Stay

Hinges

9 Fold Accessories

Sealing Profiles

Fan Filter

Panel Fasteners

Sleeve & Termination

Wiring Accessories

Connectors

**DC AXIAL FANS**

Series 80 80×80×32mm A



**Material:**

Impeller & Frame Plastic (UL94V-0)

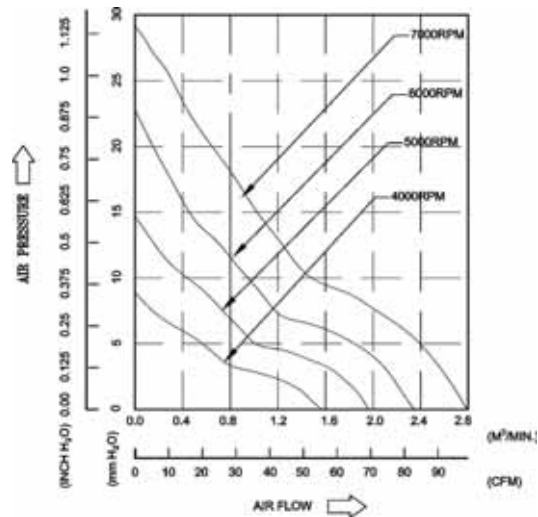
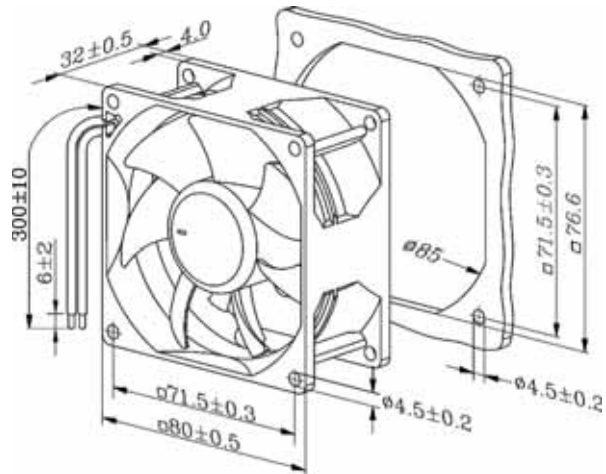
**Lead Wires:** UL 1007

AWG#24 or Equivalent

**Impeller:** 7 Blades

Rotational direction CCW view from impeller side

**Mass:** 118g



| PART NO.   | B.S | VDC | VDC     | Amp  | Watt  | RPM  | m³/H  | CFM  | mmH2O | IN H2O | dB-A |
|------------|-----|-----|---------|------|-------|------|-------|------|-------|--------|------|
| SA120832-M | B   | 12  | 7~13.2  | 0.37 | 4.44  | 4000 | 95.9  | 56.5 | 9.12  | 0.36   | 42.9 |
| SA120832-H | B   | 12  | 7~13.2  | 0.61 | 7.32  | 5000 | 119.9 | 70.6 | 14.24 | 0.56   | 47.7 |
| SA120832-U | B   | 12  | 7~13.2  | 0.97 | 11.64 | 6000 | 143.9 | 84.7 | 20.51 | 0.81   | 51.7 |
| SA120832-S | B   | 12  | 7~13.2  | 1.40 | 16.80 | 7000 | 167.8 | 98.8 | 27.91 | 1.10   | 55.0 |
| SA240832-M | B   | 24  | 14~26.4 | 0.15 | 3.60  | 4000 | 95.9  | 56.5 | 9.12  | 0.36   | 42.9 |
| SA240832-H | B   | 24  | 14~26.4 | 0.25 | 6.00  | 5000 | 119.9 | 70.6 | 14.24 | 0.56   | 47.7 |
| SA240832-U | B   | 24  | 14~26.4 | 0.38 | 9.12  | 6000 | 143.9 | 84.7 | 20.51 | 0.81   | 51.7 |
| SA240832-S | B   | 24  | 14~26.4 | 0.59 | 14.16 | 7000 | 167.8 | 98.8 | 27.91 | 1.10   | 55.0 |
| SA480832-M | B   | 48  | 36~60   | 0.10 | 4.80  | 4000 | 95.9  | 56.5 | 9.12  | 0.36   | 42.9 |
| SA480832-H | B   | 48  | 36~60   | 0.14 | 6.72  | 5000 | 119.9 | 70.6 | 14.24 | 0.56   | 47.7 |
| SA480832-U | B   | 48  | 36~60   | 0.21 | 10.08 | 6000 | 143.9 | 84.7 | 20.51 | 0.81   | 51.7 |
| SA480832-S | B   | 48  | 36~60   | 0.32 | 15.36 | 7000 | 167.8 | 98.8 | 27.91 | 1.10   | 55.0 |

