



Quarter Turn Locks

Compression Locks & Latches

Handle Locks

Rod Control Locks

Electronic Locks

Canopy Locks, Handles & Door Stay

Hinges

9 Fold Accessories

Sealing Profiles

Fan Filter

Panel Fasteners

Sleeve & Termination

Wiring Accessories

Connectors

DC AXIAL FANS

Series 172×150×25mm A



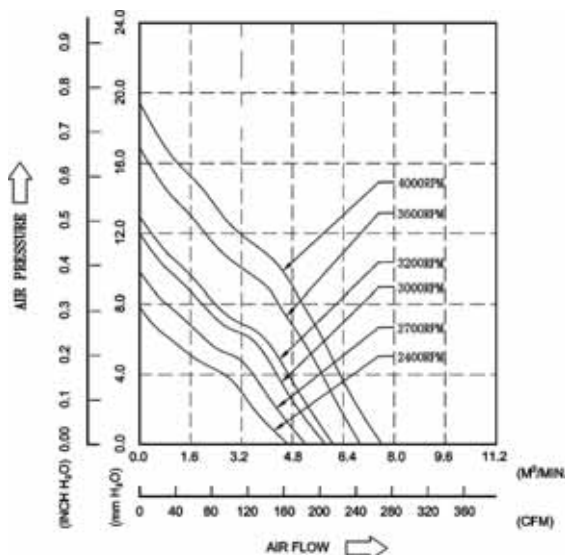
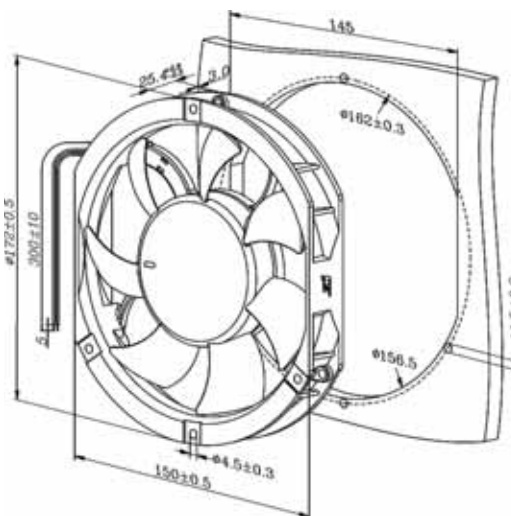
Material:

Impeller & Frame Plastic (UL94V-0)

Lead Wires: UL 1007 AWG#24 or Equivalent

Impeller: 7 Blades
Rotational direction CCW view from impeller side

Mass: 308g



PART NO.	B.S	VDC	VDC	Amp	Watt	RPM	m ³ /H	CFM	mmH2O	IN H2O	dB-A
SA121725-E	B	12	7~13.2	0.57	6.84	2400	276.4	162.8	7.84	0.31	48
SA121725-L	B	12	7~13.2	0.8	9.6	2700	309.7	182.4	9.76	0.38	50
SA121725-M	B	12	7~13.2	1.1	13.2	3000	346.5	204.1	11.95	0.47	54
SA121725-H	B	12	7~13.2	1.4	16.8	3200	363.5	214.1	12.93	0.51	55
SA241725-E	B	24	14~26.4	0.28	6.72	2400	276.4	162.9	7.84	0.31	48
SA241725-L	B	24	14~26.4	0.4	9.6	2700	309.7	182.4	9.46	0.38	50
SA241725-M	B	24	14~26.4	0.55	13.2	3000	346.5	204.1	11.95	0.47	54
SA241725-H	B	24	14~26.4	0.7	16.8	3200	363.5	214.1	12.93	0.51	55
SA241725-U	B	24	14~26.4	0.95	22.8	3600	416.6	245.3	16.8	0.66	58
SA241725-S	B	24	14~26.4	1.3	31.2	4000	448.7	264.2	19.32	0.76	61

