



Quarter Turn Locks

Compression Locks & Latches

Handle Locks

Rod Control Locks

Electronic Locks

Canopy Locks, Handles & Door Stay

Hinges

9 Fold Accessories

Sealing Profiles

Fan Filter

Panel Fasteners

Sleeve & Termination

Wiring Accessories

Connectors

**DC AXIAL FANS**

Series 120 120×120×38mm B

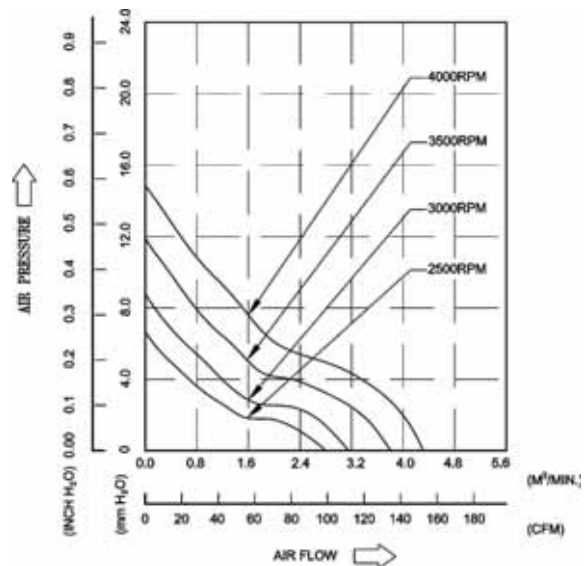
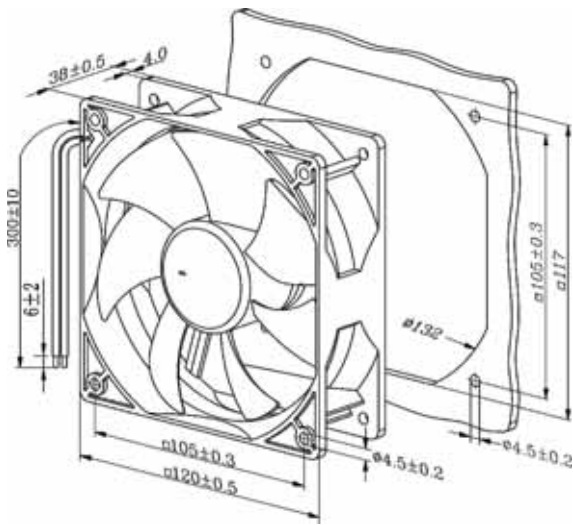


**Material:**  
Impeller & Frame Plastic (UL94V-0)

**Lead Wires:** UL 1007 AWG#24 or Equivalent

**Impeller:** 7 Blades  
Rotational direction CCW  
view from impeller side

**Mass:** 240g



PART NO.	B.S	VDC	VDC	Amp	Watt	RPM	m <sup>3</sup> /H	CFM	mmH2O	IN H2O	dB-A
SB121238-L	B	12	7~13.2	0.27	3.24	2500	166.5	98.06	6.73	0.26	40.6
SB121238-M	B	12	7~13.2	0.58	6.96	3000	188.6	111.08	8.70	0.334	45.0
SB121238-H	B	12	7~13.2	0.80	9.60	3500	231.2	136.2	11.89	0.47	48.2
SB121238-U	B	12	7~13.2	1.08	12.96	4000	260.0	153.1	14.75	0.58	50.9
SB241238-L	B	24	14~26.4	0.16	3.84	2500	166.5	98.06	6.73	0.26	40.6
SB241238-M	B	24	14~26.4	0.24	5.76	3000	188.6	111.08	8.70	0.334	45.0
SB241238-H	B	24	14~26.4	0.37	8.88	3500	231.2	136.2	11.89	0.47	48.2
SB241238-U	B	24	14~26.4	0.60	14.40	4000	260.0	153.1	14.75	0.58	50.9
SB481238-L	B	48	36~56	0.11	5.28	2500	166.5	98.06	6.73	0.26	40.6
SB481238-M	B	48	36~56	0.15	7.20	3000	188.6	111.08	8.70	0.334	45.0
SB481238-H	B	48	36~56	0.20	9.60	3500	231.2	136.2	11.89	0.47	48.2
SB481238-U	B	48	36~56	0.24	11.52	4000	260.0	153.1	14.75	0.58	50.9

