



- Quarter Turn Locks
- Compression Locks & Latches
- Handle Locks
- Rod Control Locks
- Electronic Locks
- Canopy Locks, Handles & Door Stay
- Hinges
- 9 Fold Accessories
- Sealing Profiles
- Fan Filter
- Panel Fasteners
- Sleeve & Termination
- Wiring Accessories
- Connectors

**CATALOGUE GUIDANCE**

**DC AXIAL FAN**



**DC AXIAL FANS**

40x40x10mm

General characteristics:

Material: Impeller & Frame Plastic (UL94V-0)  
Lead Wires: UL 1007 AWG#28 or /Equivalent  
Impeller: 7 Blades

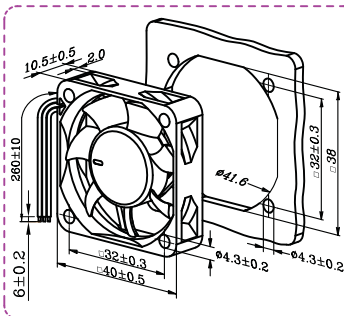
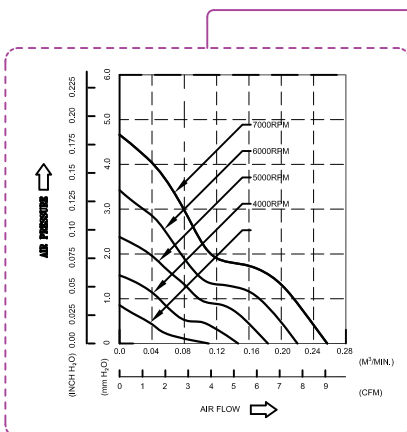
\*Rotational direction CCW view from impeller side  
\*Mass: 15g

**Product classification:**  
This part of the main display product categories (axial fan or blower) and overall dimensions and other information.

**Product description**  
General product information such as construction material, lead wire rating, number of impeller blades, impeller rotating direction and product weight.

MODEL	Bearing Type	Rated Voltage	Voltage Range	Rated Current	Rated Input Power	Speed	Maximum Air Flow	Maximum Air Pressure	Acoustic Noise		
PART NO.	B.S	VDC	VDC	Amp	Watt	RPM	m <sup>3</sup> /H	CFM	mmH <sub>2</sub> O	IN H <sub>2</sub> O	dB-A
SA120410_E	B	12	6.0...13.2	0.07	0.84	3000	6.60	3.89	0.86	0.034	18
SA120410_L	B	12	6.0...13.2	0.10	1.20	4000	8.82	5.18	1.52	0.060	21
SA120410_M	B	12	6.0...13.2	0.11	1.32	5000	10.98	6.48	2.38	0.094	25
SA120410_H	B	12	6.0...13.2	0.13	1.56	6000	13.21	7.77	3.43	0.135	30
SA120410_U	B	12	6.0...13.2	0.15	1.8	7000	15.43	9.07	4.66	0.184	35

**Product Features**  
This introduces the fan characteristics, including product speed, voltage, air volume and pressure, noise and other parameters



**Performance curves**  
The chart reflects performance at rated speed fan

**Product Specifications**  
The figure presents fan shape size, screw diameter and installation size

