

Main material and finish:
White zinc plated steel hinge and pin

Quarter Turn Locks

Compression Locks & Latches

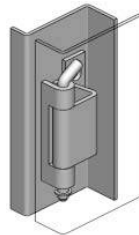
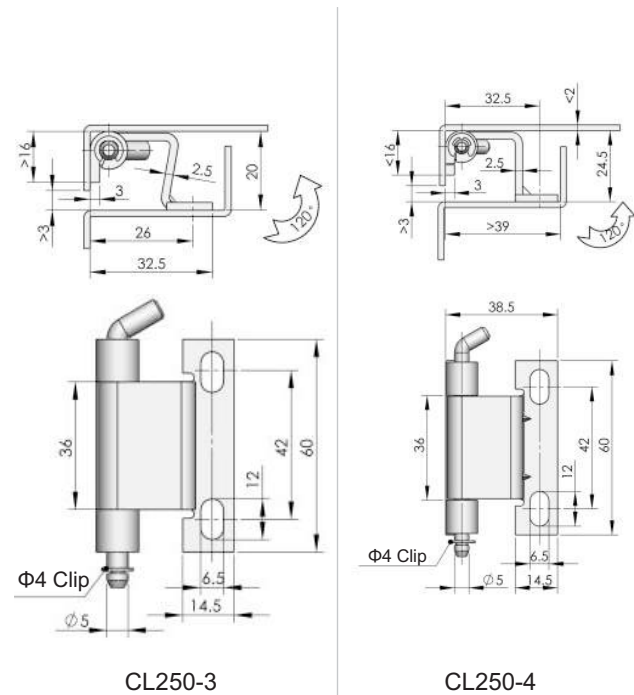
Handle Locks

Rod Control Locks

Electronic Locks

Canopy Locks, Handles & Door Stay

Hinges



Main material and finish:
White zinc plated steel hinge and pin

Application:
Opening angle 120°

9 Fold Accessories

Sealing Profiles

Fan Filter

Panel Fasteners

Sleeve & Termination

Wiring Accessories

Connectors