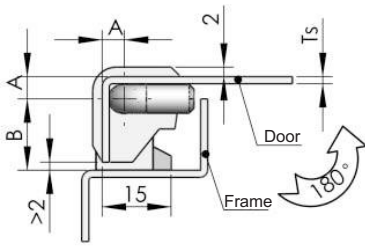
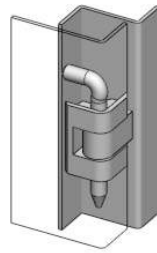


Door cutout

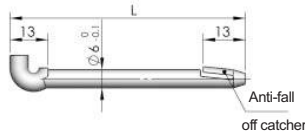


CL230



Model	Specification		
	Ts	A	B
CL230-1	Ts=1.5	4.6	15
CL230-2	Ts=2	5.1	15
CL230-1A	Ts=1.5	4.6	17
CL230-2A	Ts=2	5.1	17
CL230-1B	Ts=1.5	4.6	19
CL230-2B	Ts=2	5.1	19

Nylon pin (Optional)



CL230



Main material and finish:
Black powder coated ZDC hinge, nickel-plated steel pin

Application:
Opening angle 180°

Quarter Turn Locks

Compression Locks & Latches

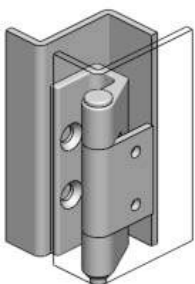
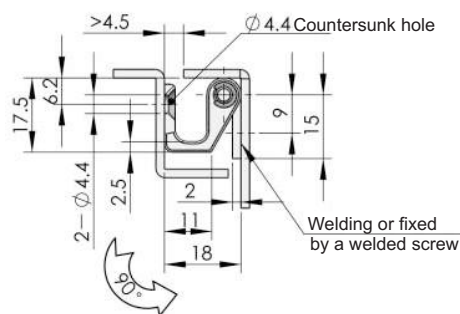
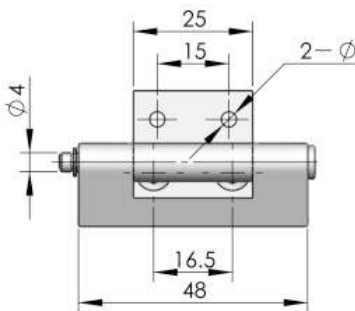
Handle Locks

Rod Control Locks

Electronic Locks

Canopy Locks, Handles & Door Stay

Hinges



CL237



Main material and finish:
Sand-spraying and nickel-plated ZDC female hinge, white zinc-plated steel male hinge, nickel plated steel pin

Application:
Opening angle 90°

9 Fold Accessories

Sealing Profiles

Fan Filter

Panel Fasteners

Sleeve & Termination

Wiring Accessories

Connectors