

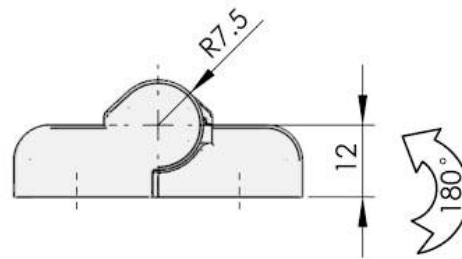
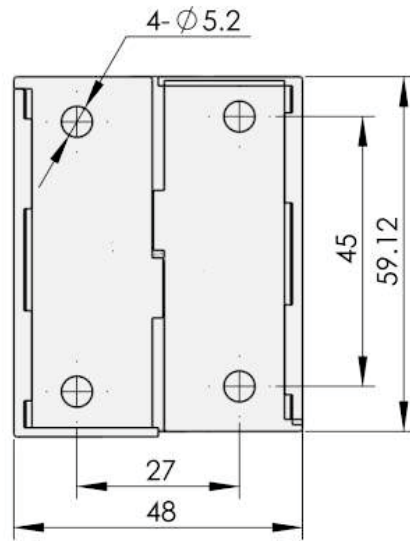


Quarter Turn Locks
Compression Locks & Latches
Handle Locks
Rod Control Locks
Electronic Locks
Canopy Locks, Handles & Door Stay
<b>Hinges</b>
9 Fold Accessories
Sealing Profiles
Fan Filter
Panel Fasteners
Sleeve & Termination
Wiring Accessories
Connectors



**CL299-1-Z**  
**Main material and finish:**  
Nanometer painted ZCD hinge and stainless steel shaft

**Application:**  
Opening angle 180°



**CL302**  
**Main material and finish:**  
Black powder coated ZDC hinge and nicked plated steel pin

**Application:**  
Opening angle 90°

