



Quarter Turn Locks
Compression Locks & Latches
Handle Locks
Rod Control Locks
Electronic Locks
Canopy Locks, Handles & Door Stay
<b>Hinges</b>
9 Fold Accessories
Sealing Profiles
Fan Filter
Panel Fasteners
Sleeve & Termination
Wiring Accessories
Connectors

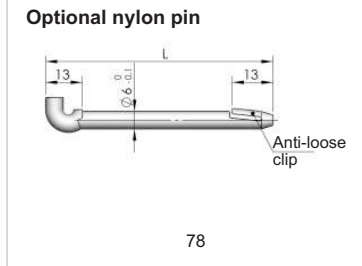
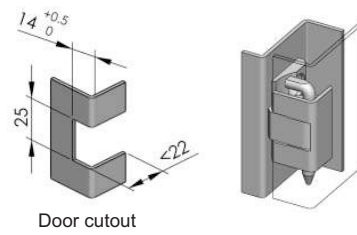
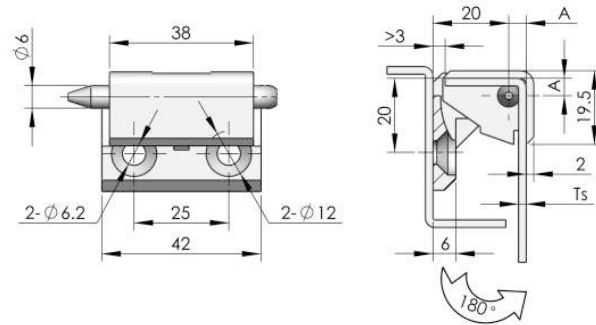


**CL212**



**Main material and finish:**  
Black powder coated ZDC hinge, nickel-plated steel pin

**Application:**  
Opening angle 180°



Specification	A	Model
Suitable door thickness, Ts=2mm	5.1	CL212-1
Suitable door thickness, Ts=3mm	6.1	CL212-2
Suitable door thickness, Ts=1.5mm	4.6	CL212-3

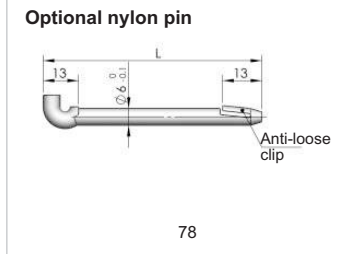
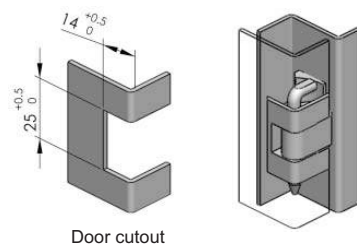
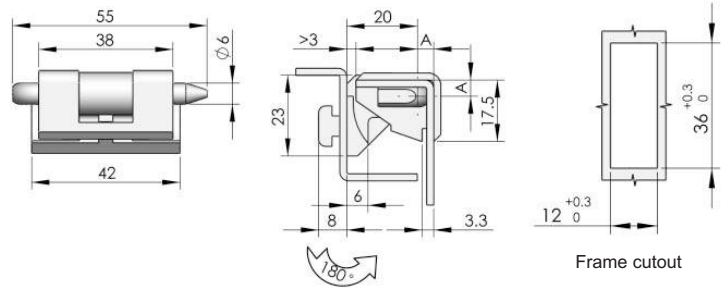


**CL212-3A**



**Main material and finish:**  
Black powder coated ZDC hinge, nickel-plated steel pin

**Application:**  
Opening angle 180°



Specification	A
Suitable door thickness, Ts=2mm	5.1
Suitable door thickness, Ts=3mm	6.1
Suitable door thickness, Ts=1.5mm	4.6