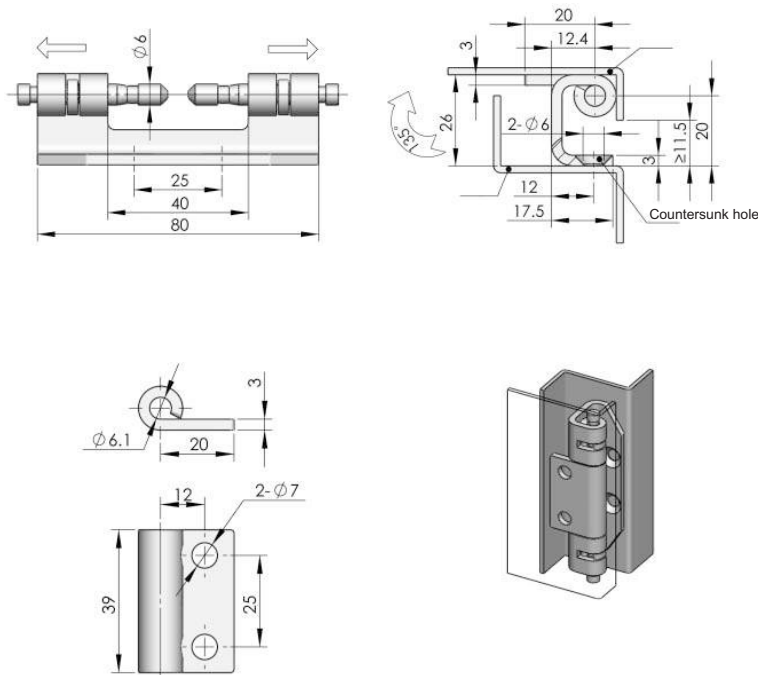


Specification	Model
Left hinge	CL137-Z
Right hinge	CL137-Y



CL137



Main material and finish:
White zinc plated steel hinge and pin

Application:
Opening angle 135°

Quarter Turn Locks

Compression Locks & Latches

Handle Locks

Rod Control Locks

Electronic Locks

Canopy Locks, Handles & Door Stay

Hinges

CL138



Main material and finish:
White zinc plated steel hinge and pin

Application:
Opening angle 135°

9 Fold Accessories

Sealing Profiles

Fan Filter

Panel Fasteners

Sleeve & Termination

Wiring Accessories

Connectors