

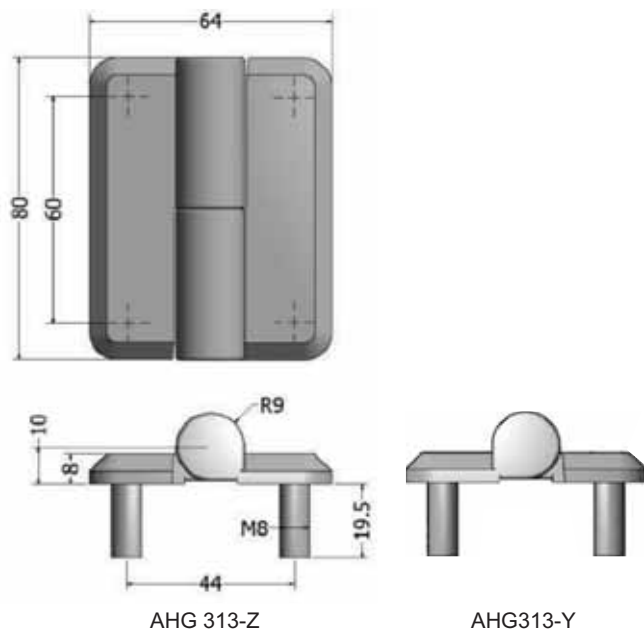
AHG 312

Main material and finish:

Blue-gray (RAL 7012) powder coated ZDC hinge and stainless steel shaft

Quarter Turn Locks
Compression Locks & Latches
Handle Locks
Rod Control Locks
Electronic Locks
Canopy Locks, Handles & Door Stay

Hinges



AHG 313

Main material and finish:

Black powder coated ZDC hinge and stainless steel

9 Fold Accessories
Sealing Profiles
Fan Filter
Panel Fasteners
Sleeve & Termination
Wiring Accessories

Connectors

Specification	Model
LH	AHG 313-Z
RH	AHG 313-Y