

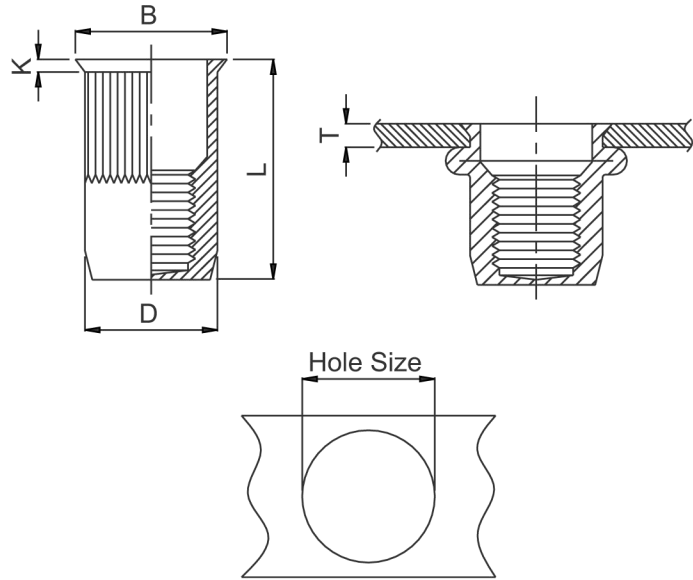


- Quarter Turn Locks
- Compression Locks & Latches
- Handle Locks
- Rod Control Locks
- Electronic Locks
- Canopy Locks, Handles & Door Stay
- Hinges
- 9 Fold Accessories
- Sealing Profiles
- Fan Filter
- Panel Fasteners**
- Sleeve & Termination
- Wiring Accessories
- Connectors

Reduce Head Knurled Body Close End - SS-CE-SM Series



Material :
Stainless Steel

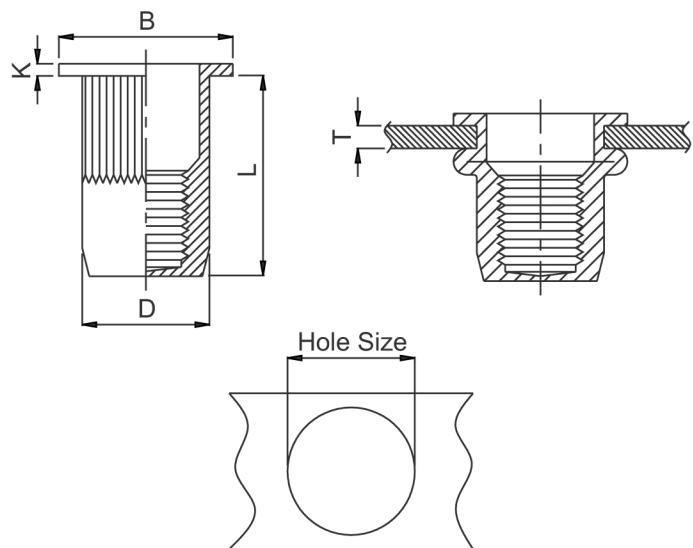


UNIT -mm							
MODEL	SIZE	T(Grip Range) Min-Max.	Hole Size	D ±0.1	B ±0.25	K +0.3 -0.0	L +0.5 -0.0
SS-CE-SM4	M4 x 0.7	0.5 - 2.5	6.1	5.9	7.0	0.5	16.0
SS-CE-SM5	M5 x 0.8	0.5 - 2.5	7.1	6.9	8.0	0.5	17.5
SS-CE-SM6	M6 x 1.0	0.5 - 3.0	9.1	8.9	10.0	0.5	21.0
SS-CE-SM8	M8 x 1.25	0.5 - 3.0	11.1	10.9	12.0	0.5	23.5
SS-CE-SM10	M10 x 1.5	1.0 - 3.5	13.1	12.9	14.2	0.8	26.5

Flat Head Knurled Body Close End - SS-CE-LM Series



Material :
Stainless Steel



UNIT -mm							
MODEL	SIZE	T(Grip Range) Min-Max.	Hole Size	D ±0.1	B +0.0 -0.5	K ±0.1	L ±0.3
SS-CE-LM4	M4 x 0.7	0.5 - 2.5	6.1	5.9	9.0	1.0	16.0
SS-CE-LM5	M5 x 0.8	0.5 - 2.5	7.1	6.9	10.0	1.0	18.0
SS-CE-LM6	M6 x 1.0	0.5 - 3.0	9.1	8.9	12.0	1.5	21.0
SS-CE-LM8	M8 x 1.25	0.5 - 3.0	11.1	10.9	15.0	1.5	23.5
SS-CE-LM10	M10 x 1.5	1.0 - 3.5	13.1	12.9	17.0	2.0	26.5