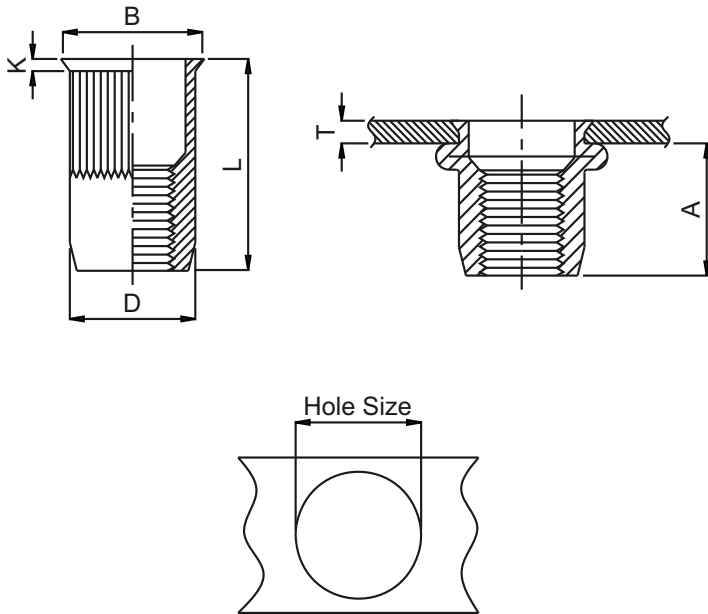




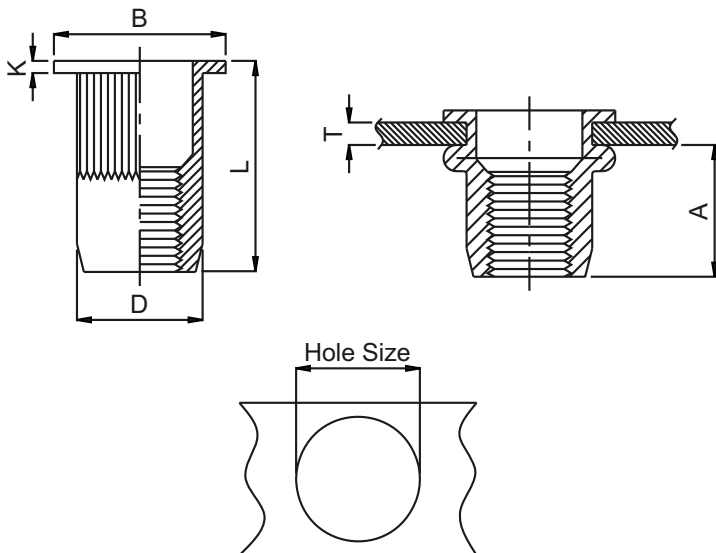
Reduce Head Knurled body - SM Series



Material : Steel
Finish : Zinc Plating

MODEL	SIZE	T(Grip Range) Min-Max.	A Rer	Hole Size +0.1 -0.0	D +0.07 -0.1	B	K	L
SM3	M3*0.5	0.5 - 2.0	6.2	5.0	4.9	6.0	0.5	9.0
SM4	M4*0.7	0.5 - 2.0	7.0	6.0	5.9	7.0	0.5	11.2
SM5	M5*0.8	0.5 - 2.0	7.0	7.0	6.9	8.0	0.5	11.5
SM6	M6*1.0	0.5 - 2.5	8.5	9.0	8.9	10.0	0.6	14.0
SM8	M8*1.25	0.5 - 3.0	10.0	11.0	10.9	12.0	0.65	16.5
SM10	M10*1.5	1.0 - 3.5	12.5	13.0	12.9	14.0	0.7	19.5

Flat Head Knurled Body - LM Series



Material : Steel
Finish : Zinc Plating

UNIT -mm

MODEL	SIZE	T(Grip Range) Min-Max.	A Rer	Hole Size +0.1 -0.0	D +0.07 -0.1	B	K	L
LM3	M3*0.5	0.5 - 1.5	6.0	5.0	4.9	8.0	0.8	10.0
LM4	M4*0.7	0.5 - 2.0	6.0	6.0	5.9	9.0	0.8	10.5
LM5	M5*0.8	0.5 - 2.5	7.5	7.0	6.9	10.0	1.0	13.0
LM6	M6*1.0	0.5 - 3.0	9.2	9.0	8.9	12.3	1.3	15.5
LM8	M8*1.25	1.0 - 3.5	11.5	11.0	10.9	14.5	1.5	18.5
LM10	M10*1.5	1.0 - 4.0	13.5	13.0	12.9	17.0	1.7	21.5

Quarter Turn
Locks

Compression
Locks &
Latches

Handle
Locks

Rod Control
Locks

Electronic
Locks

Canopy Locks,
Handles &
Door Stay

Hinges

9 Fold
Accessories

Sealing
Profiles

Fan Filter

Panel
Fasteners

Sleeve &
Termination

Wiring
Accessories

Connectors