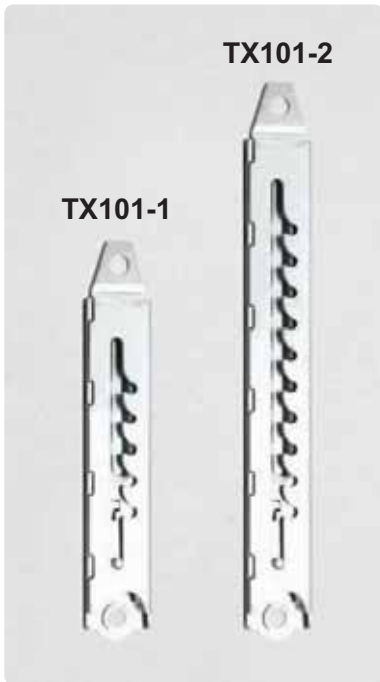




- Quarter Turn Locks
- Compression Locks & Latches
- Handle Locks
- Rod Control Locks
- Electronic Locks
- Canopy Locks, Handles & Door Stay**
- Hinges
- 9 Fold Accessories
- Sealing Profiles
- Fan Filter
- Panel Fasteners
- Sleeve & Termination
- Wiring Accessories
- Connectors

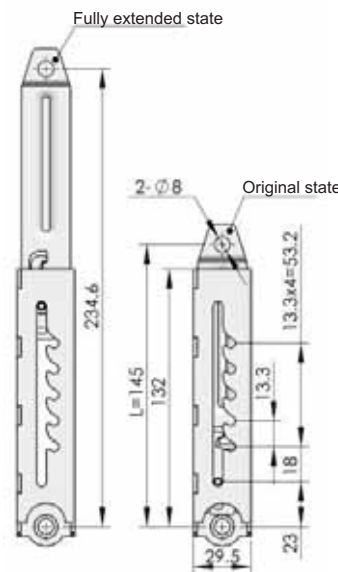


Main material and finish:
Steel

Application:
Automatic multiple stops and release in the end position

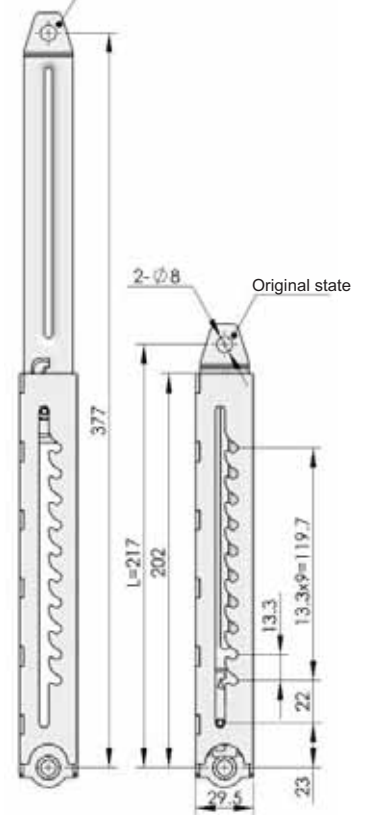
TX101-1

Zinc plated

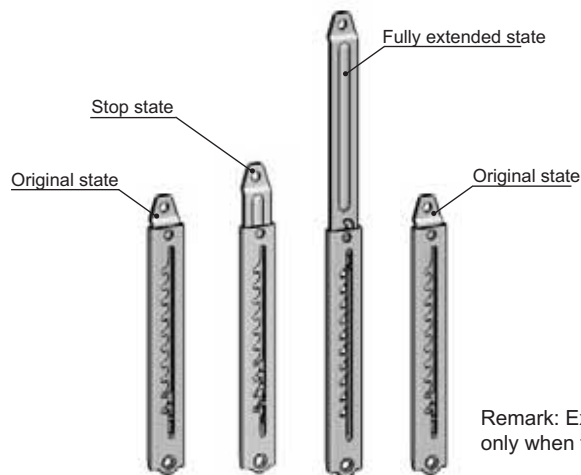


TX101-2

Fully extended state



Different states of telescopic cover stay



Remark: Extension rod retracts only when fully extended

Specification	Model
L=145	TX101-1
L=217	TX101-2