

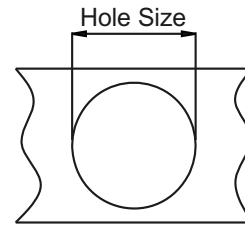
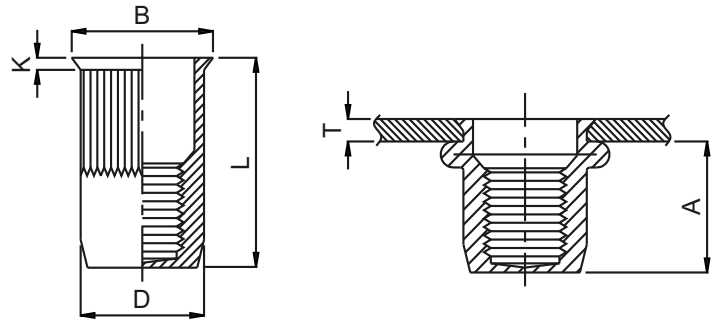


- Quarter Turn Locks
- Compression Locks & Latches
- Handle Locks
- Rod Control Locks
- Electronic Locks
- Canopy Locks, Handles & Door Stay
- Hinges
- 9 Fold Accessories
- Sealing Profiles
- Fan Filter
- Panel Fasteners**
- Sleeve & Termination
- Wiring Accessories
- Connectors

Reduce Head Knurled body Close End - SM-CE Series



MATERIAL : Steel
FINISH : Zinc Plating

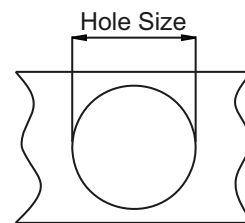
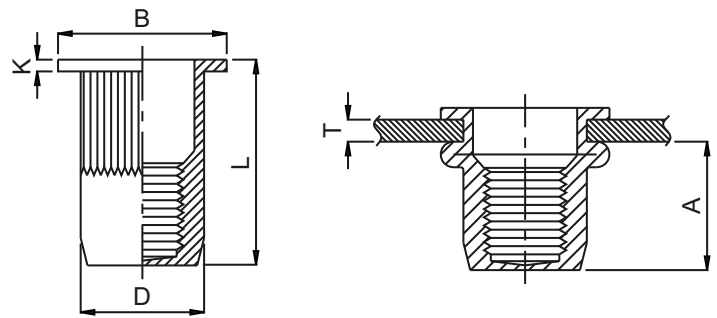


UNIT -mm								
MODEL	SIZE	T(Grip Range) Min-Max.	A Rer	Hole Size +0.1 -0.0	D +0.07 -0.1	B	K	L
SM-CE4	M4*0.7	0.5 - 2.0	11.0	6.0	5.9	7.0	0.5	15.0
SM-CE5	M5*0.8	0.5 - 2.0	12.5	7.0	6.9	8.0	0.5	16.5
SM-CE6	M6*1.0	0.5 - 3.0	15.5	9.0	8.9	10.0	0.6	20.5
SM-CE8	M8*1.25	0.5 - 3.0	17.0	11.0	10.9	12.0	0.65	23.0
SM-CE10	M10*1.5	1.0 - 3.0	18.2	13.0	12.9	14.0	0.7	24.5

Flat Head Knurled Body Close End - LM-CE Series



Material : Steel
Finish : Zinc Plating



UNIT -mm								
MODEL	SIZE	T(Grip Range) Min-Max.	A Rer	Hole Size +0.1 -0.0	D +0.07 -0.1	B	K	L
LM-CE4	M4*0.7	0.5 - 2.0	11.3	6.0	5.9	9.0	0.8	16.0
LM-CE5	M5*0.8	0.5 - 3.0	11.5	7.0	6.9	10.0	1.0	17.0
LM-CE6	M6*1.0	0.5 - 3.0	12.7	9.0	8.9	12.3	1.3	19.0
LM-CE8	M8*1.25	0.5 - 3.0	14.8	11.0	10.9	15.0	1.5	21.5
LM-CE10	M10*1.5	1.0 - 4.0	19.2	13.0	12.9	17.0	1.6	27.0