



Quarter Turn
Locks

Compression
Locks &
Latches

Handle
Locks

Rod Control
Locks

Electronic
Locks

Canopy Locks,
Handles &
Door Stay

Hinges

9 Fold
Accessories

Sealing
Profiles

Fan Filter

Panel
Fasteners

Sleeve &
Termination

Wiring
Accessories

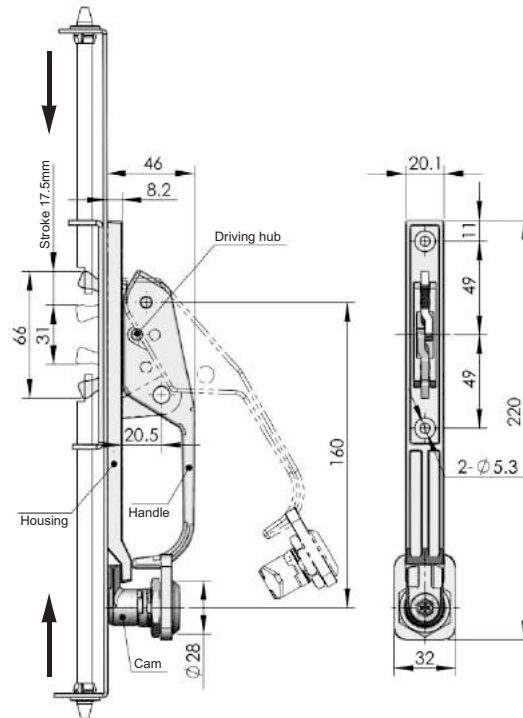
Connectors

MS887-3

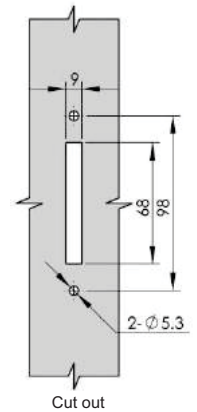


Main material and finish:
Blue gray (RAL 7012) powder coated ZDC housing, handle and cylinder barrel

Application:
Handle combines with latch, rod-latch system on sketch is just for reference, generally prepared by user



Select K15 series as per various inserts

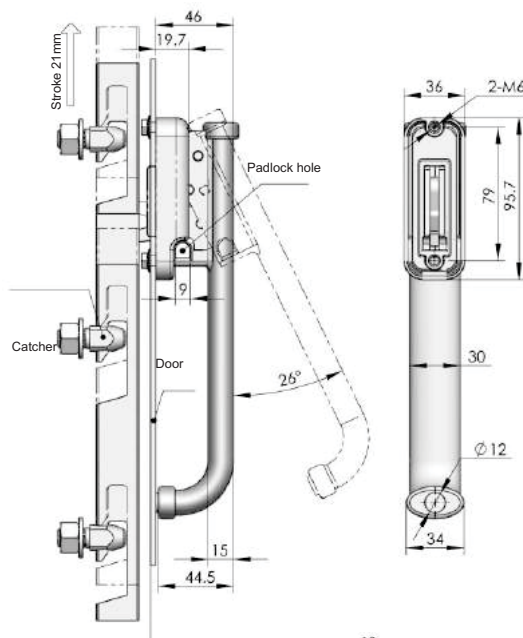


MS887-4

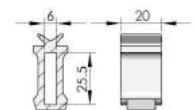


Main material and finish:
Blue gray (RAL 7012) powder coated ZDC housing, and handle

Application:
Handle combines with latch, rod-latch system on sketch is just for reference, generally prepared by user



PA guider (Optional)



Catcher (Optional)

