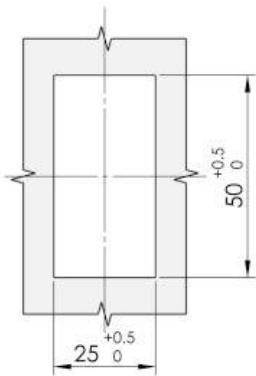
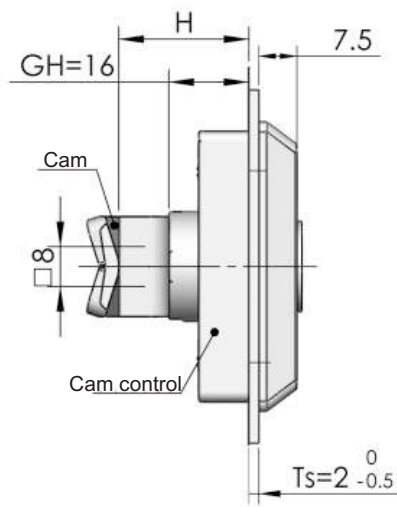


MS875-1A



Cut out



MS875-2A



Double bit 4mm



Triangular 8mm



Square 8mm

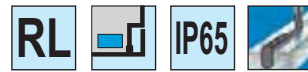


Square 7mm

Specification	Rod latch system	Cam latch system	Optional key
	Model	Model	
Double bit	MS875-1A-1	MS875-2A-1	K15-1A, K15-1F
Triangular 8mm	MS875-1A-2	MS875-2A-2	K15-3, K15-3F
Square 7mm	MS875-1A-3	MS875-2A-3	K15-6, K15-6F
Square 8mm		MS875-2A-4	K15-4, K15-4F



MS875-1A
MS875-2A



Main material and finish:

Black PA panel, bright chrome-plated ZDC insert, white zinc-plated steel cam and rod

Application:

Insert quarter-turn combines with rod latch system to open or close

Quarter Turn Locks

Compression Locks & Latches

Handle Locks

Rod Control Locks

Electronic Locks

Canopy Locks, Handles & Door Stay

Hinges

9 Fold Accessories

Sealing Profiles

Fan Filter

Panel Fasteners

Sleeve & Termination

Wiring Accessories

Connectors