

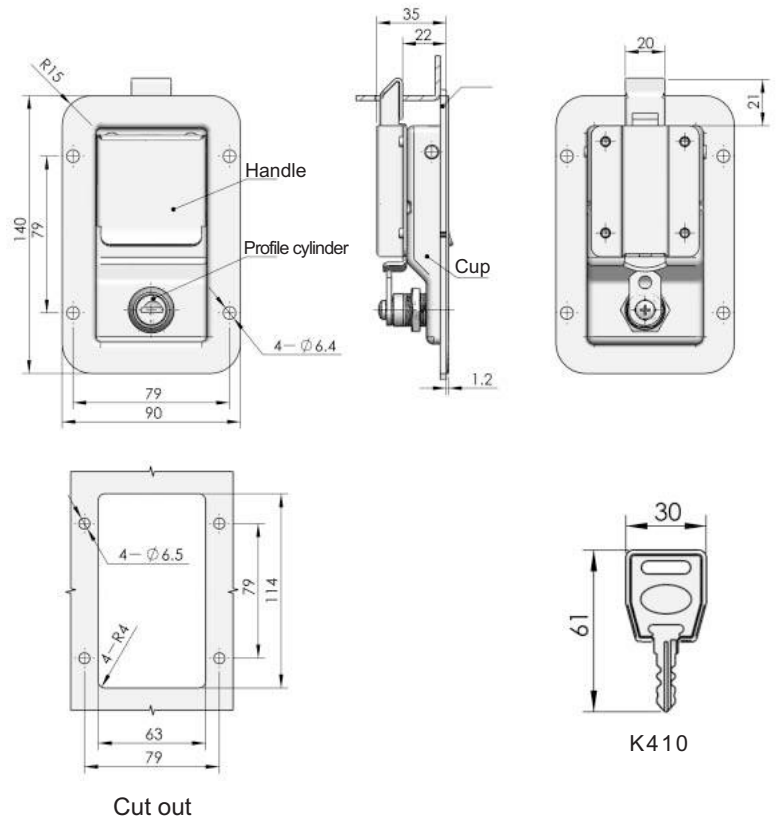


Quarter Turn Locks
Compression Locks & Latches
Handle Locks
Rod Control Locks
Electronic Locks
Canopy Locks, Handles & Door Stay
Hinges
9 Fold Accessories
Sealing Profiles
Fan Filter
Panel Fasteners
Sleeve & Termination
Wiring Accessories
Connectors



MS866-7

Main material and finish:
Stainless steel cup, handle, latch and cam, bright chrome-plated profile cylinder



MS866-7 With insert

MS866-7A Without insert



MS866-8

Main material and finish:
Wire-drawing polished stainless steel

