



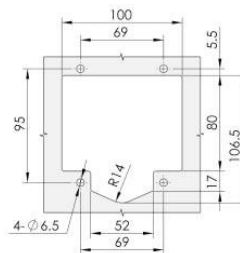
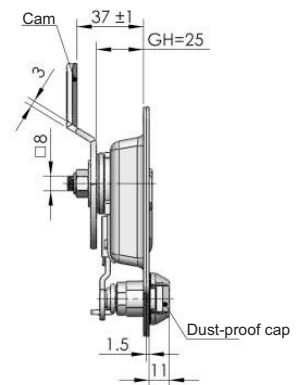
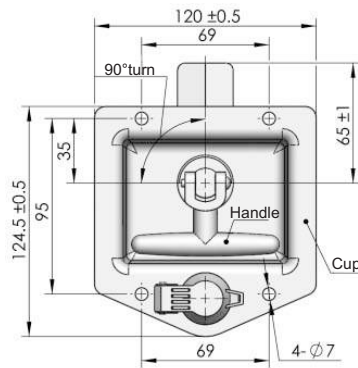
Quarter Turn Locks
Compression Locks & Latches
Handle Locks
Rod Control Locks
Electronic Locks
Canopy Locks, Handles & Door Stay
Hinges
9 Fold Accessories
Sealing Profiles
Fan Filter
Panel Fasteners
Sleeve & Termination
Wiring Accessories
Connectors



**MS857**



**Main material and finish:**  
Mirror polished stainless steel cup, cam and shaft tube, bright chrome-plated ZDC handle, shaft tube and dust-proof cap

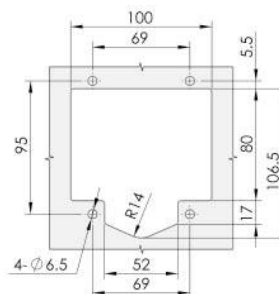
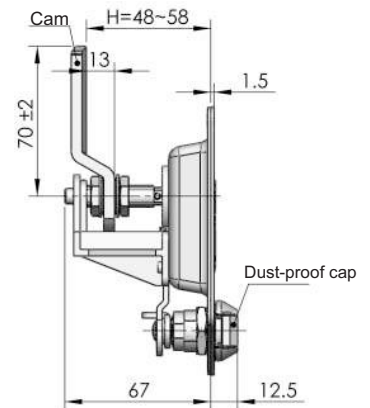
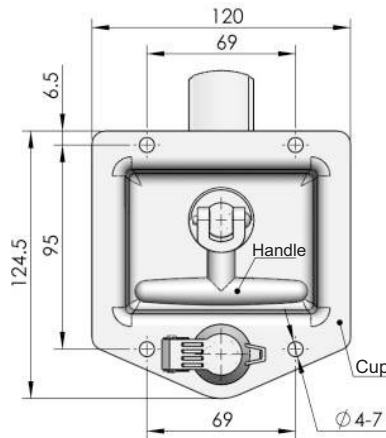


Cut out



**MS858**

**Main material and finish:**  
Mirror polished stainless steel cup and cam, bright chrome-plated ZDC handle, shaft tube and dust-proof cap, white zinc-plated ZDC bracket and steel shaft



Cut out