

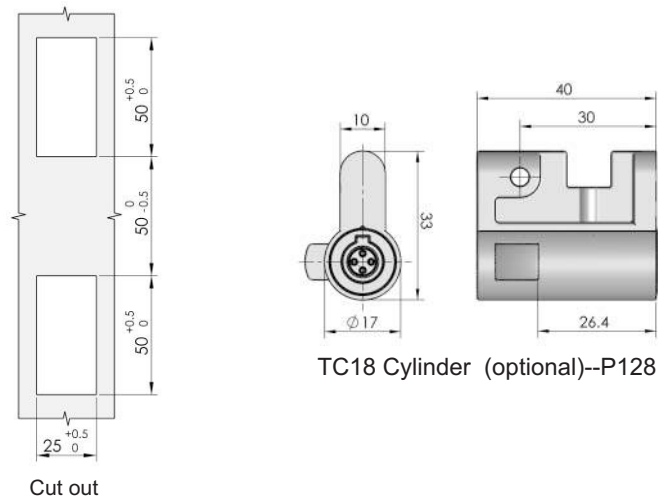
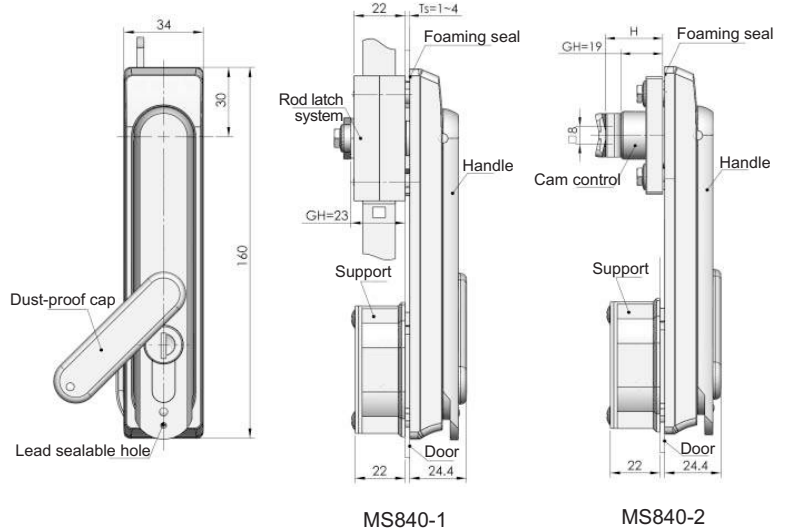


Quarter Turn Locks
Compression Locks & Latches
Handle Locks
Rod Control Locks
Electronic Locks
Canopy Locks, Handles & Door Stay
Hinges
9 Fold Accessories
Sealing Profiles
Fan Filter
Panel Fasteners
Sleeve & Termination
Wiring Accessories
Connectors



Main material and finish:
Pocked black powder coated ZDC housing and handle, ZDC profile cylinder, white zinc-plated steel cam and rod

Application:
90 degree handle rotation combines with rod latch to open or close



Optional Accessories
Cam latch system Mb9
Rod latch system Mb0

Remarks: PA housing or ZDC housing, default t ZDC housing

Specification	Model
Optional rod latch system M b01	MS840-1
Optional rod latch system Mb01, padlockable	MS840-1P
Optional rod latch system Mb02	MS840-1-2
Optional rod latch system Mb02, padlockable	MS840-1-2P
Cam latch system	MS840-2
Cam latch system, padlockable	MS840-2P