

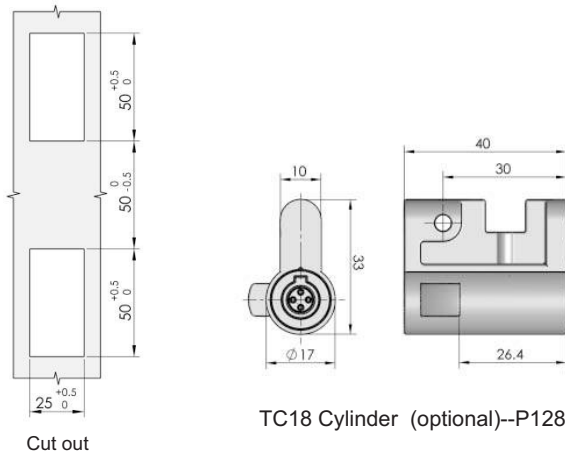
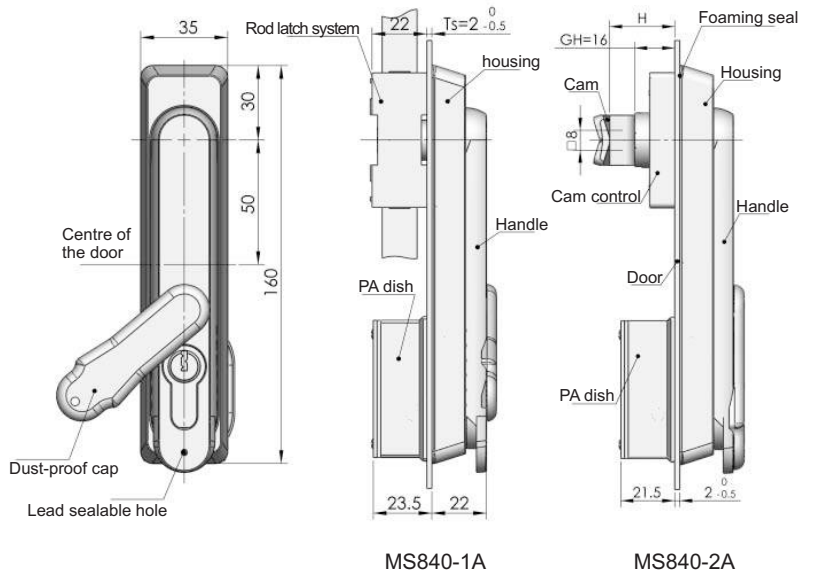


Quarter Turn Locks
Compression Locks & Latches
Handle Locks
Rod Control Locks
Electronic Locks
Canopy Locks, Handles & Door Stay
Hinges
9 Fold Accessories
Sealing Profiles
Fan Filter
Panel Fasteners
Sleeve & Termination
Wiring Accessories
Connectors



Main material and finish:
Black PA handle, housing and dust-proof cap, white zinc-plated steel cam and rod, bright chrome-plated ZDC profile cylinder

Application:
Handle quarter-turn rotation combines with rod latch system to open or close



Optional Accessories
Cam latch system Mb9
Rod latch system Mb0

Specification	Model
Rod latch system with TC series profile cylinder and dust-proof cap	MS840-1A
Cam latch system with TC series profile cylinder and dust-proof cap	MS840-2A