

Remarks: Change rod and cam position to suit RH or LH application



Main material and finish: ZDC housing, handle, and dust-proof cap, white zinc plated steel cam and rod-latch

Application:

Handle quarter-turn combines with rod latch system to open or close

Quarter Turn Locks

Compression Locks & Latches

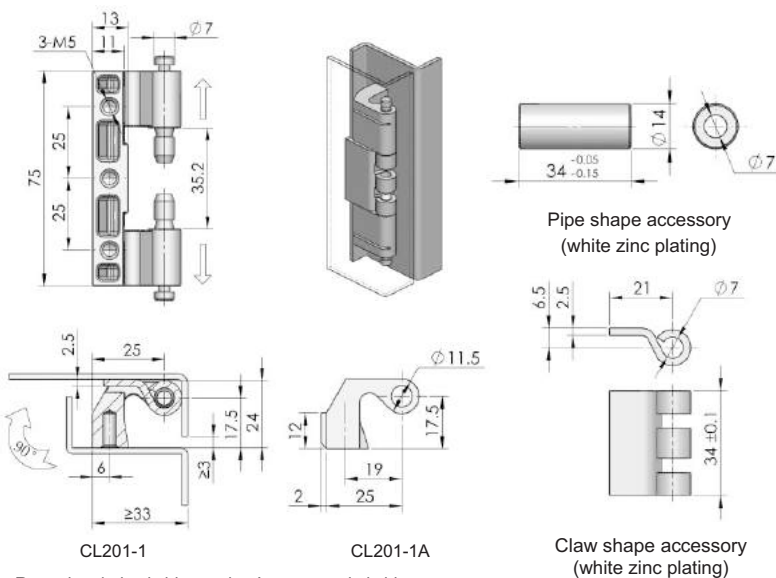
Handle Locks

Rod Control Locks

Electronic Locks

Canopy Locks, Handles & Door Stay

Hinges



Remark:  $\geq 4$  size is bigger, door's open angle is bigger.



Main material and finish: ZDC hinge, steel pin, accessory

9 Fold Accessories

Sealing Profiles

Fan Filter

Panel Fasteners

Sleeve & Termination

Wiring Accessories

Connectors