



Quarter Turn Locks
Compression Locks & Latches
Handle Locks
Rod Control Locks
Electronic Locks
Canopy Locks, Handles & Door Stay
Hinges
9 Fold Accessories
Sealing Profiles
Fan Filter
Panel Fasteners
Sleeve & Termination
Wiring Accessories
Connectors



MS830-3

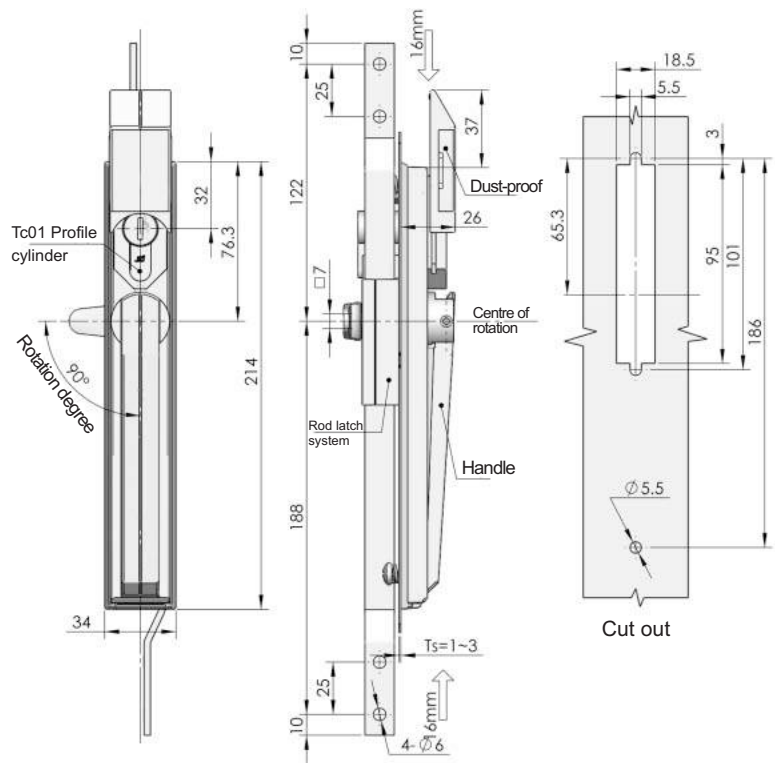


MS830-6

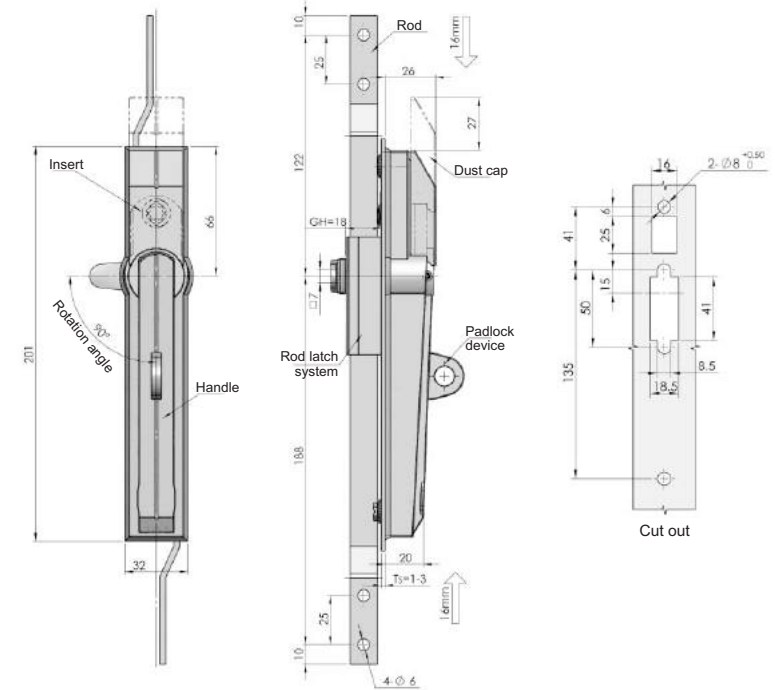


Main material and finish:
ZDC housing, handle, and dust-proof cap, white zinc plated steel cam and rod-latch

Application:
Handle quarter-turn combines with rod latch system to open or close



Specification	Model
K14 Key Insert	MS830-3-1
Double Bit 4mm Insert	MS830-3-2



Specification	Model
with padlock device, insert with self-reset function	MS830-6-2P
without padlock device, insert with self-reset function	MS830-6-2
with padlock device, insert without self-reset function	MS830-6-1P
without padlock device, insert without self-reset function	MS830-6-1