

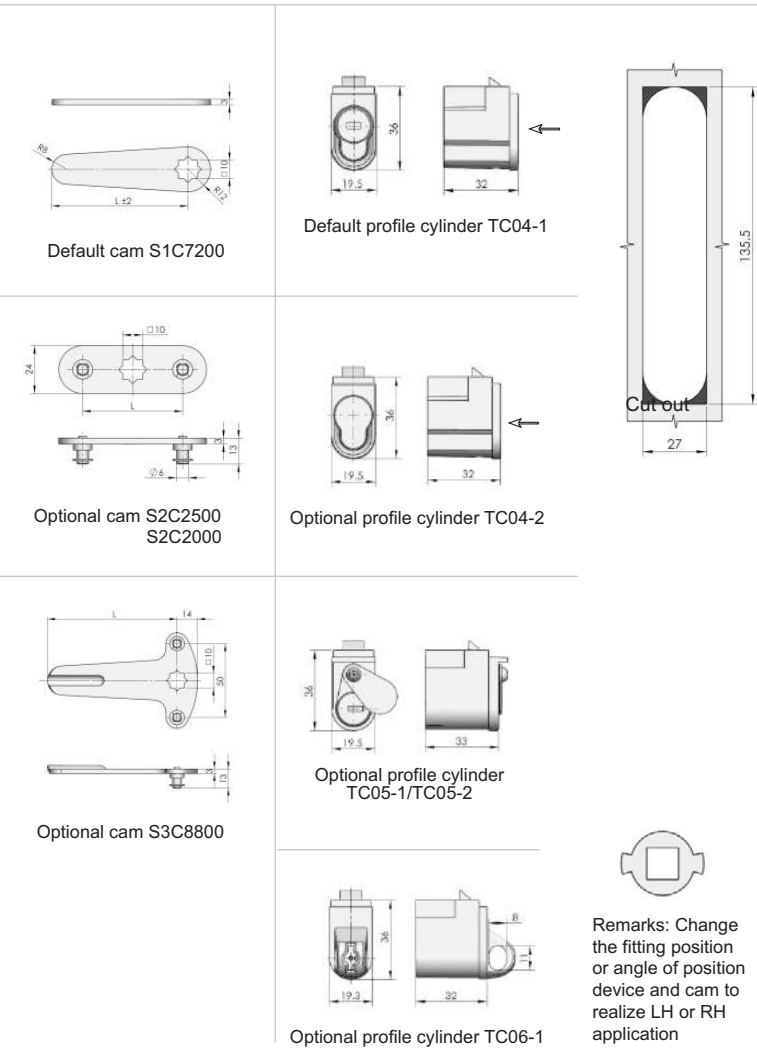
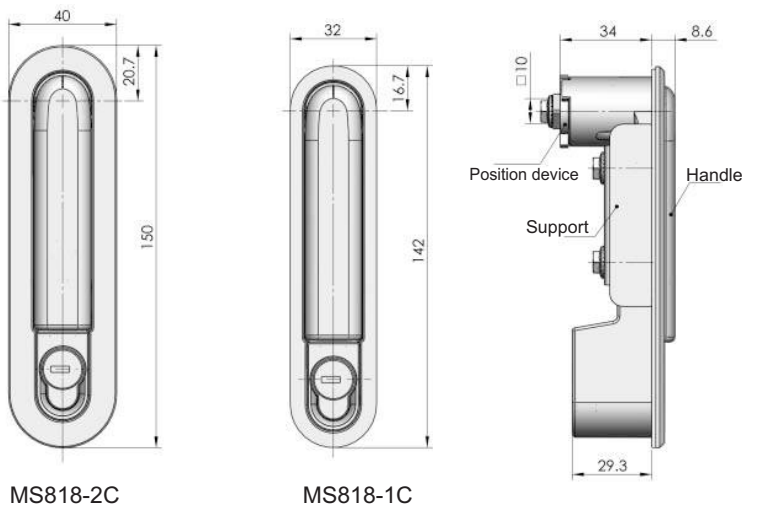


- Quarter Turn Locks
- Compression Locks & Latches
- Handle Locks
- Rod Control Locks
- Electronic Locks
- Canopy Locks, Handles & Door Stay
- Hinges
- 9 Fold Accessories
- Sealing Profiles
- Fan Filter
- Panel Fasteners
- Sleeve & Termination
- Wiring Accessories
- Connectors



**Main material and finish:**  
Black powder coated aluminium-alloy housing and ZDC handle, bright chrome plated ZDC profile cylinder, white zinc plated steel support and cam

**Application:**  
Quick-open, easy assembling. one-point locking or three-point locking function will be achieved with different cam mounted on



Program	Black powder coated	Nanometer painted
	MS818-1C	MS818-1A
MS818-1S	MS818-1A	MS818-2B