



Quarter Turn Locks

Compression Locks & Latches

Handle Locks

Rod Control Locks

Electronic Locks

Canopy Locks, Handles & Door Stay

Hinges

9 Fold Accessories

Sealing Profiles

Fan Filter

Panel Fasteners

Sleeve & Termination

Wiring Accessories

Connectors

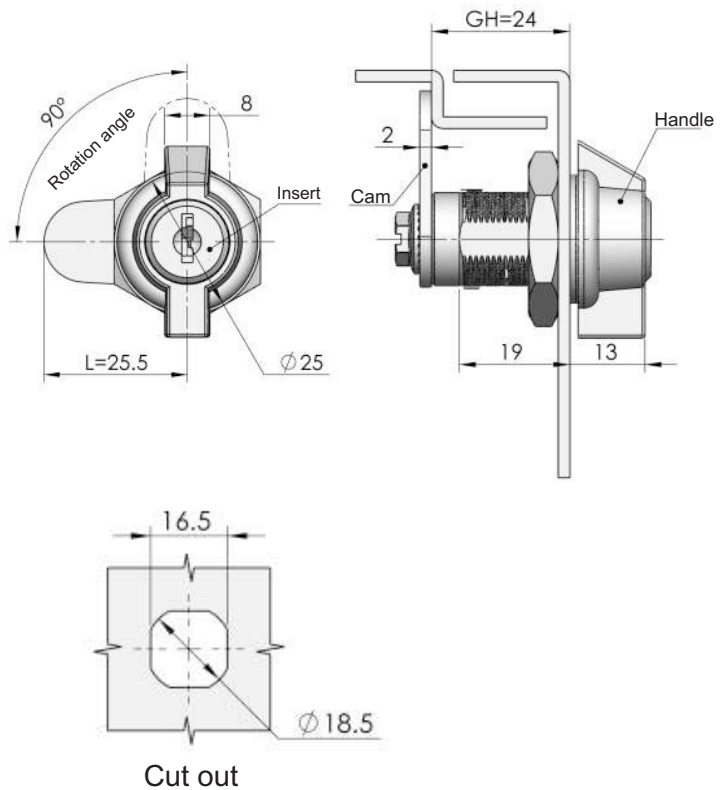
MS815-1



RL **IP54**

Main material and finish :
Black Painted ZDC housing and handle, white zinc plated steel cam

Application:
Quarter turn opening or closing



MS815-2



RL **IP54**

Main material and finish:
Black Painted ZDC housing and handle, white zinc plated steel cam

Application:
Quarter turn opening or closing

