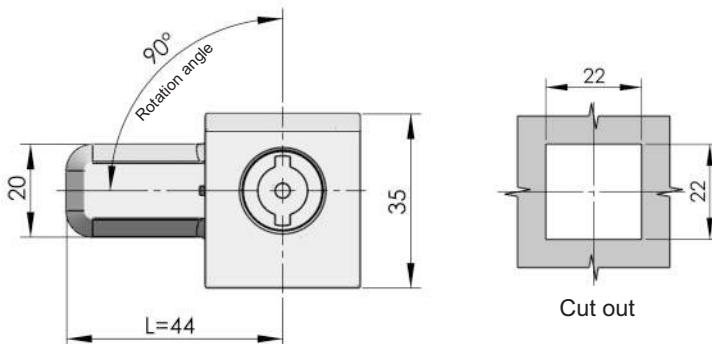
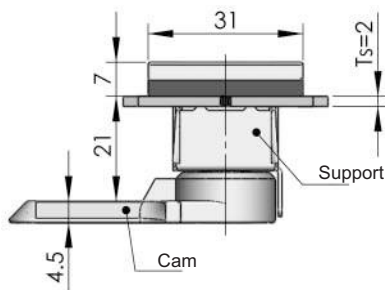


MS793-1 With insert

MS793-2 Without insert



Specification	Model
ZDC	MS813
Full S.S.	MS813-B

MS793



Quarter Turn Locks

Compression Locks & Latches

Handle Locks

Rod Control Locks

Electronic Locks

Canopy Locks, Handles & Door Stay

Hinges

Main material and finish:
Bright chrome plated ZDC housing, plastic lock bolt

Application:
Rotate the insert 90° and handle pop out to be pulled and opened; press down the handle, insert rotate back to 90° and close

9 Fold Accessories

Sealing Profiles

Fan Filter

Panel Fasteners

Sleeve & Termination

Wiring Accessories

Connectors

MS813



MS813-B



RL IP54

Main material and finish :
Yellow-grey ZDC housing, bright chrome-plated ZDC insert, white zinc-plated ZDC cam

Application :
Quarter-turn opening or closing