

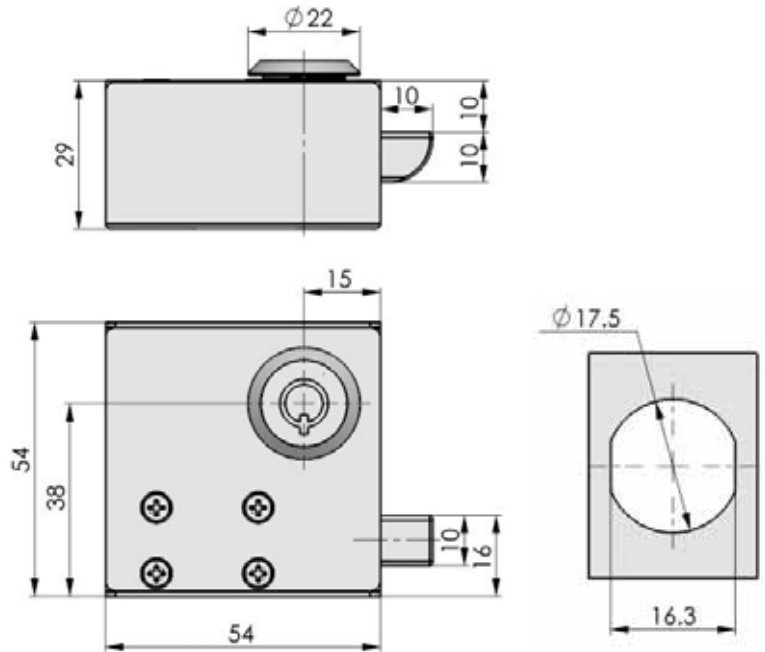


Quarter Turn Locks
Compression Locks & Latches
Handle Locks
Rod Control Locks
Electronic Locks
Canopy Locks, Handles & Door Stay
Hinges
9 Fold Accessories
Sealing Profiles
Fan Filter
Panel Fasteners
Sleeve & Termination
Wiring Accessories
Connectors



MS782

Main material and finish:
Nickel plated carbon steel cover,
bright chrome ZDC lock core



Default key

Electronic lock instruction:

1. Rated voltage DC 12V, rated current 300m A;
2. Red line: positive; blue line: negative;
3. Control mode: electronic lock can be connected with various type of controllers to control the locks' opening and closing. When the lock control line is not charged, lock is closed; When charged, lock is opened. The lock can not be charged for long time.